

QL-305LED

RGB LED DRIVER/CONTROLLER

The QL-305LED is a 3 channel RGB LED constant voltage pulse width modulated output driver / controller.

The input voltage to the module is to be provided by an external power supply unit, rating of which has to be as per the LED light fitting being connected to the QL-305LED module. The module accepts external DMX-512 signals to control the LED lights connected to it. It also has 31 built-in modes to control the connected LED lights without any external DMX-512 signal.

The DIN rail mountable module is totally self contained and can be configured as a part of a central system or as a standalone system. In a standalone mode, the module operates in the QL NET mode. When used as a part of a central system with QL NE100 controller, the module operates in DMX-512 mode. The metal construction has been designed and built for safety, reliability & serviceability with standard DIN rail mountable fixing arrangement. The channel numbers for each output can be configured.



- Operates in Stand-alone mode and centralized mode with QL NE100
- Up to 99 zones configurable in QL NET mode
- Up to 8 programmable scenes in QL NET mode
- Accepts standard DMX-512 signal
- DIN rail mountable
- Built-in 31 modes for auto control / color changing

QL-305LED

RGB LED DRIVER/CONTROLLER

Specifications

Power Supply

12-28V DC

Protocol

QL NET, DMX-512

Output Rating

Max per channel : 5A

Connectors

QL NET/DMX-512 : Non-detachable 4 pin 3.5mm connector, 2 nos. 2.54mm 4 pin bar connectors

Power in : Non-detachable 3 pin 3.5mm connector

Power out : Non-detachable 6 pin 3.5mm connector (2 per output)

Programming Port : 2.54mm 8 pin bar connector

Configuration Buttons

▲, ▼, ◀, ▶, FCN and DMX

Manual Control Buttons

1, 2, 3 and 4

LED indicators

1 Red LED indicating power and 2 Green LEDs indicating communication signal status

Display

LCD

Environment

Ambient Temperature : 0°C to 50°C

Relative Humidity : less than 80%

Safety Regulatory Compliance

CE

Dimensions

180mm (W) x 88mm (H) x 57mm (D)

Weight

500g

QL-305LED

RGB LED DRIVER/CONTROLLER

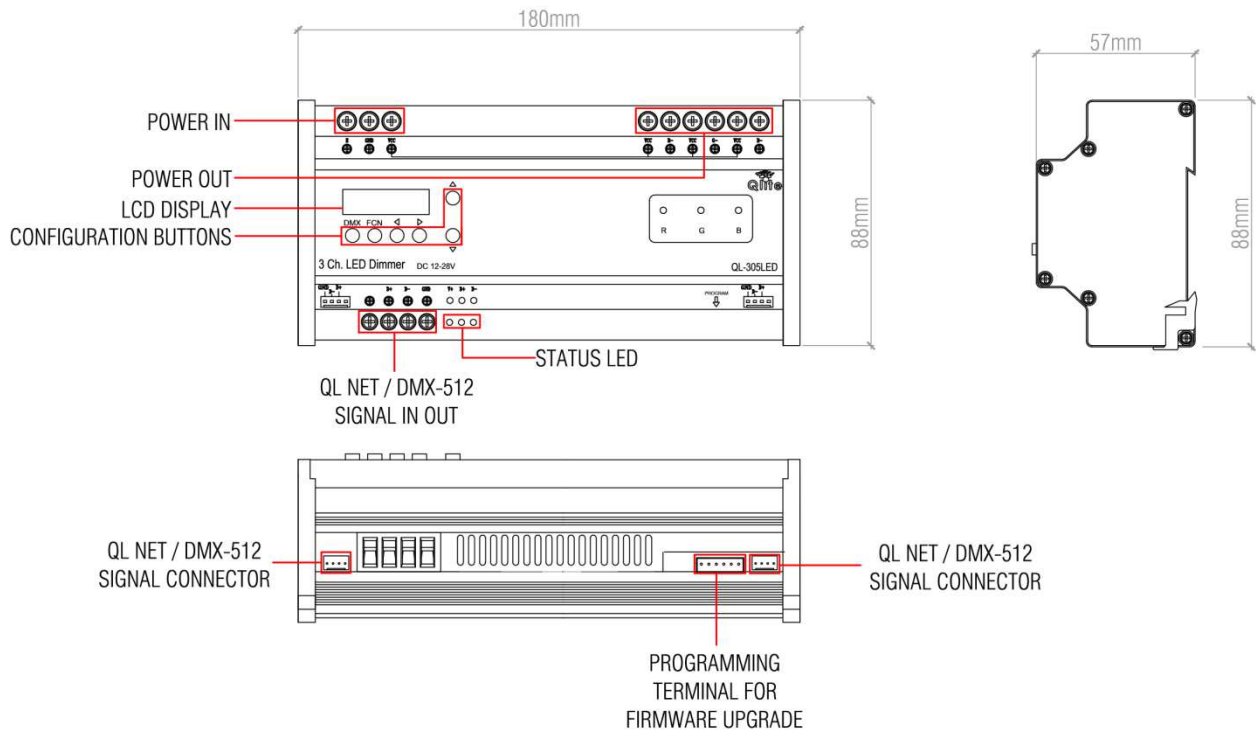


Fig 1. Module Details

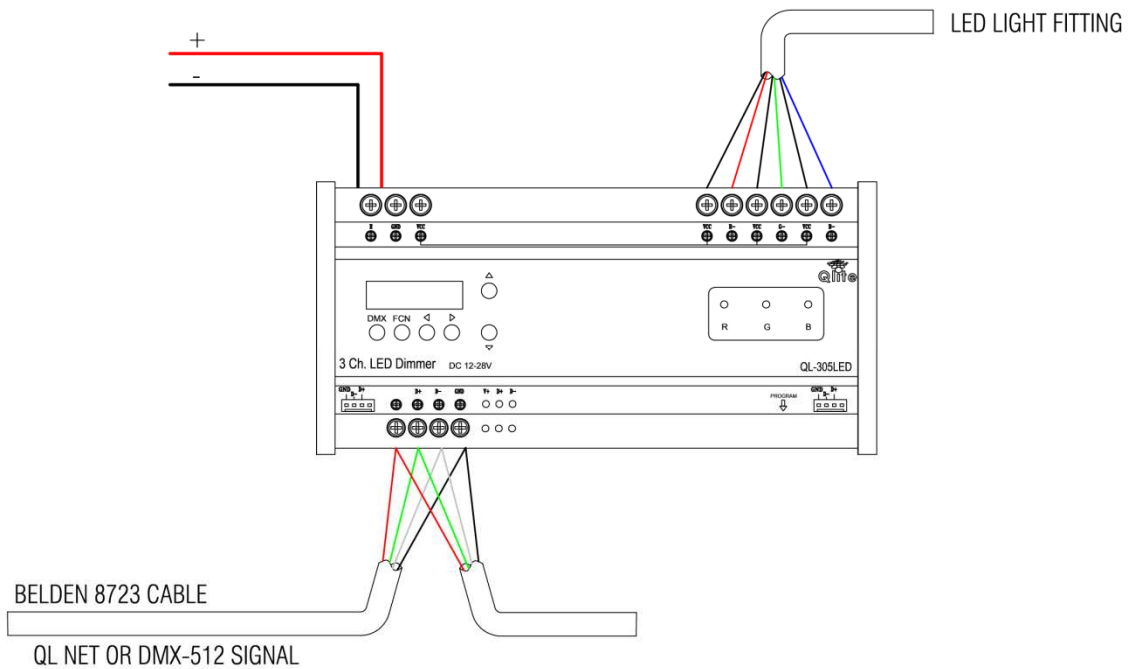


Fig 2. Module Connections

Typical Applications

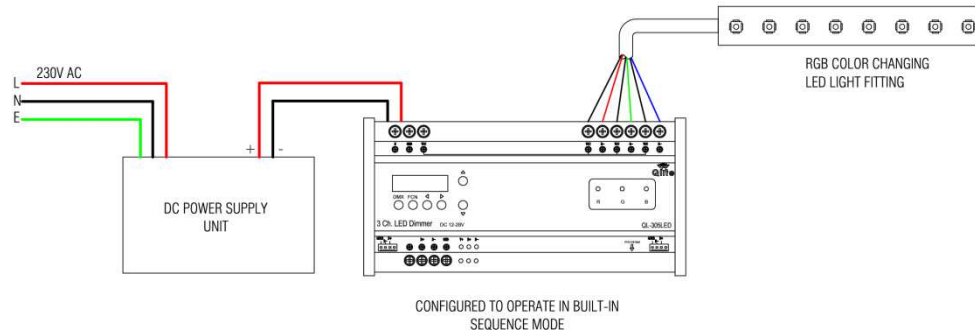


Fig 3. Application Example : QL NET mode

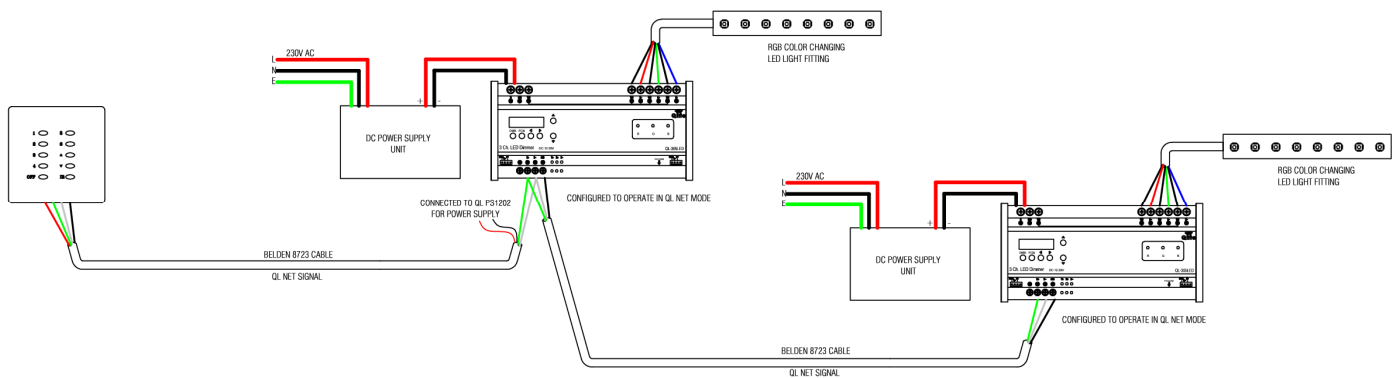


Fig 4. Application Example : QL NET mode

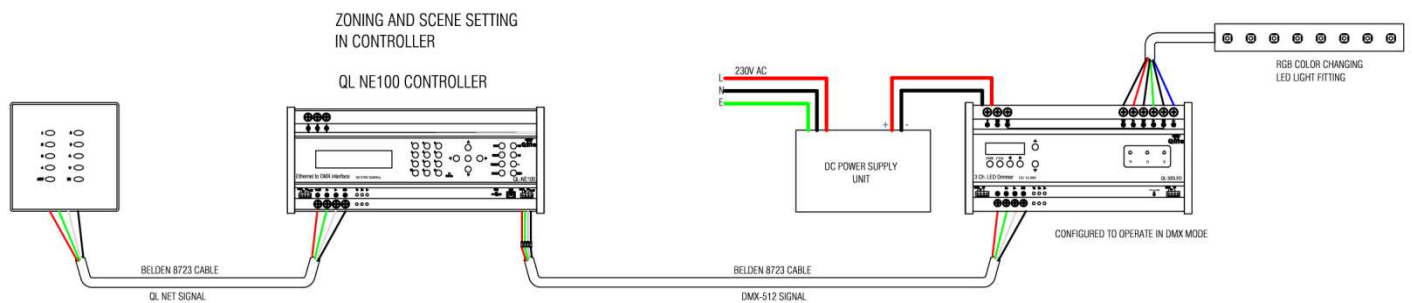


Fig 5. Application Example : NE100 mode