

The QL-CC01 is a single channel shade control module designed for small to medium sized automation requirements. The DIN rail mountable module is totally self contained with its own integral PSU and can be configured as a part of a central system or as a standalone system. In a standalone mode, the module operates in the QL NET mode. When used as a part of a central system with QL NE100 controller, the module operates in DMX-512 mode.

The module controls shade motors with provision for dual line input for clockwise and anti-clockwise direction. The same module can be used for AC motors, DC motors and RF controlled motors provided that RF interface is available from the motor manufacturer.

This module can be fitted along with protection devices in the distribution board or into a cabinet with any other modules. The metal construction has been designed and built for safety, reliability & serviceability with standard DIN rail mountable fixing arrangement. The channel numbers for each output can be configured.

After power loss, on restoration the system will restore the fan coil unit to setting prior to the power loss.



- Operates in Stand-alone mode and centralized mode with QL NE100
- Accepts standard DMX-512 signal
- DIN rail mountable
- Up to 99 zones configurable in QL NET mode
- Clockwise / Anti-clockwise time settable
- Manual control buttons for shade control
- Controls both AC and DC motors

Specifications

Power Supply

100-270V AC, 50/60 Hz

Power Requirement

25mA @ 230V AC

QL NET Power Supply Capacity

400mA

Protocol

QL NET, DMX-512

Output Rating

Max per relay : 10A

Connectors

QL NET/DMX-512 : Non-detachable 4 pin 3.5mm connector, 2 nos. 2.54mm 4 pin bar connectors

Power in : Non-detachable 3 pin 3.5mm connector

Shade Control : Non-detachable 4 pin 3.5mm connector (Up, Down, Common and V)

Programming Port : 2.54mm 8 pin bar connector

Spare Port : 2.54mm 3 pin bar connector (for future use)

Configuration Buttons

▲, ▼, ◀, ▶, FCN and DMX

Manual Control Buttons

The ▲ and ▼ configuration buttons usable as manual control buttons

LED indicators

2 Green LEDs mimicking the output of the 2 relays, 1 Red LED indicating

power and 2 Green LEDs indicating communication signal status

Display

LCD

Environment

Ambient Temperature : 0°C to 50°C

Relative Humidity : less than 80%

Dimensions

108mm (W) x 88mm (H) x 57mm (D)

Safety Regulatory Compliance

CE

Weight

300g

QL-CC01

SINGLE CHANNEL SHADE CONTROL MODULE

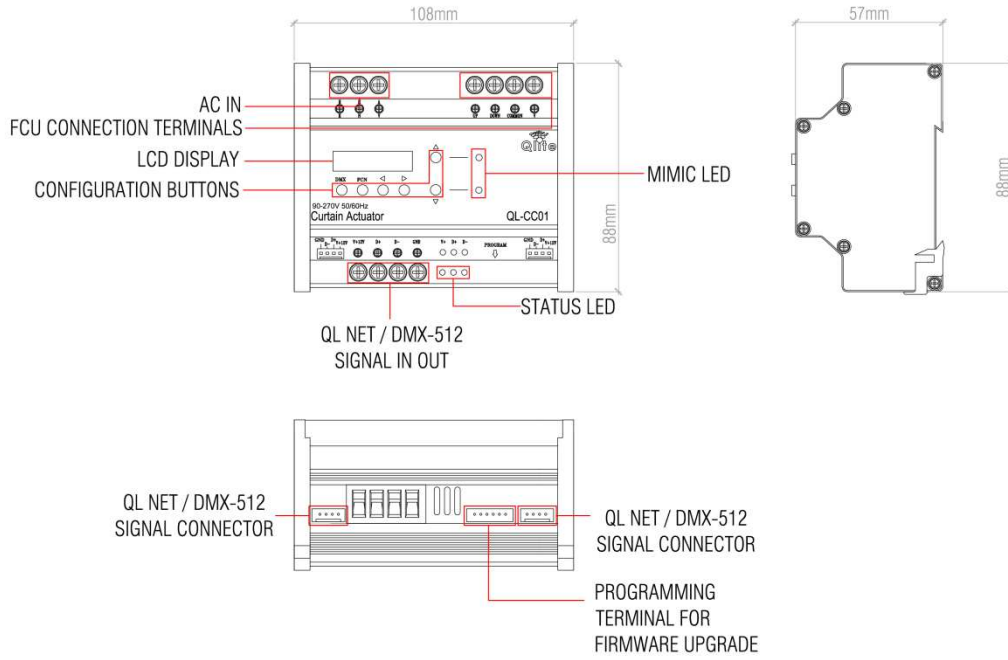


Fig 1. Module Details

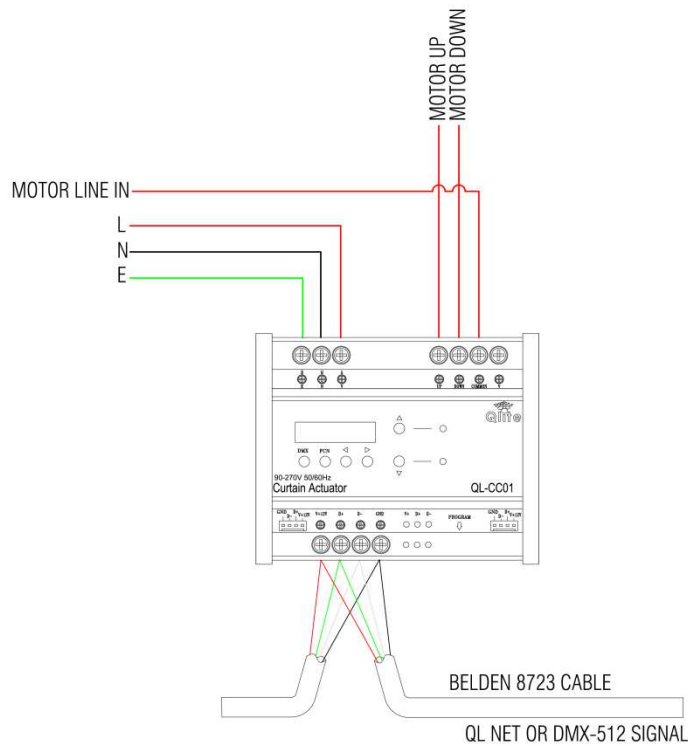


Fig 2. Module Connections

SINGLE CHANNEL SHADE CONTROL MODULE

Typical Applications

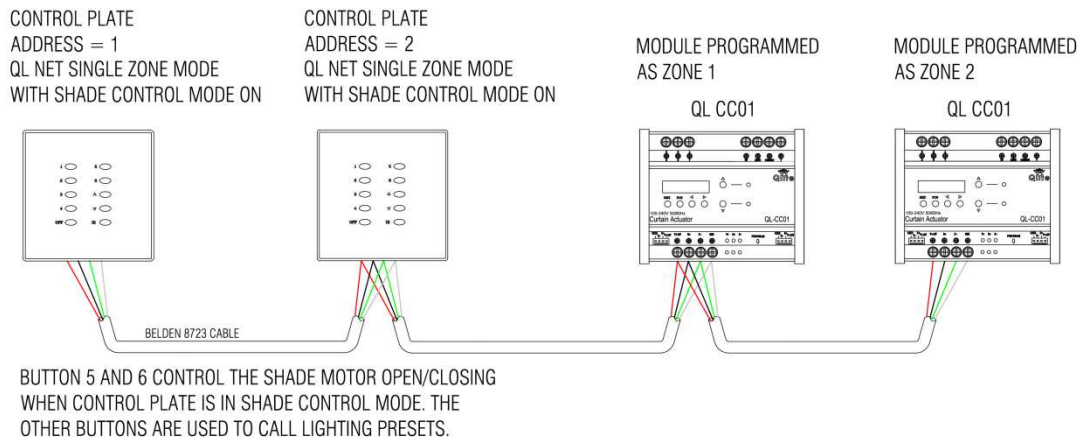


Fig 3. Application Example : QL NET mode

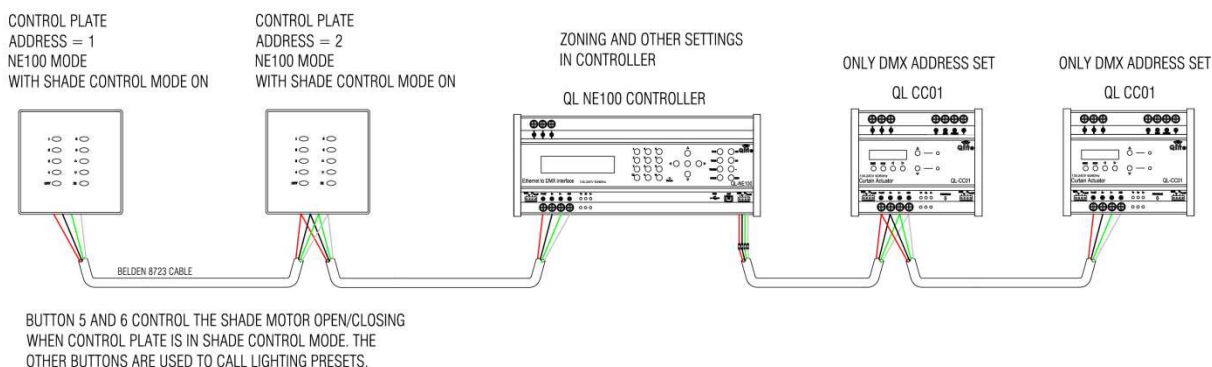


Fig 4. Application Example : NE100 mode

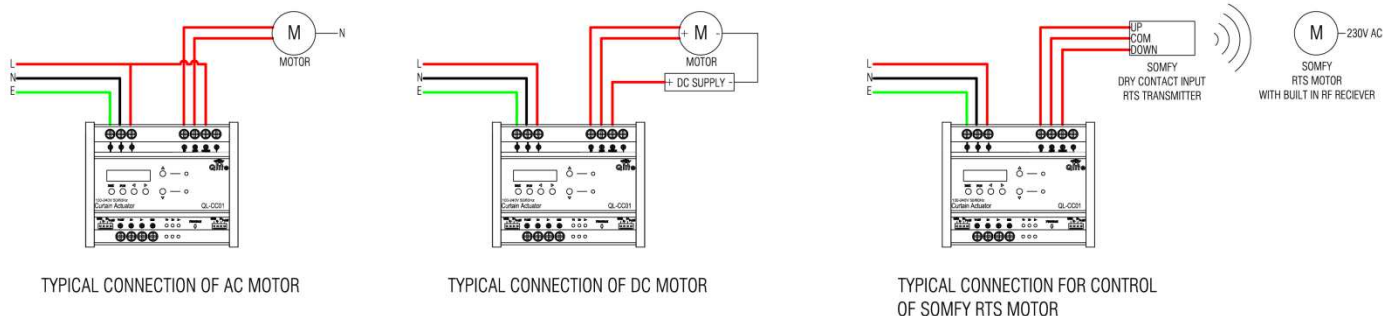


Fig 5. Application Example