

QL-CPT301

5.7" LCD TOUCH SCREEN

The QL-CPT301 is a 5.7" LCD color touch screen for lighting and automation control. It is an elegant user interface for more flexible control of Qlite system.

The QL-CPT301 sits on the QL NET bus takes power from the bus and gives commands to the actuator or controller depending on the system architecture. It has clip on bezel which gives it a screw-less finish. The bezel is available in black, white and gold as standard finishes. It is a flush mounting touch screen with a non-standard back box supplied along with the touch screen.

The touch screen has an in-built IR sensor for control by Qlite IR remote control. It operates in QL NET mode or NE100 mode depending on the system architecture.

The control pages of the touch screen are configurable via a PC based software which gives flexibility to embed any control on any of the pages with variety of colors, icons, images etc to be edited. The brightness and volume of the touch screen is adjustable from the touch screen itself.



- *Changeable front bezel allowing to match interior finishes*
- *Operates in QL NET mode and NE 100 mode*
- *Software configurable multiple control layout pages*
- *Built-in Infrared receiver for control via Qlite IR remote control*
- *Finish customizable for special projects*
- *Adjustable screen brightness*
- *Adjustable volume*
- *USB programmable*

QL-CPT301

5.7" LCD TOUCH SCREEN

Specifications

Power Supply

12V DC

Power Requirement

140mA

Protocol

QL NET

Connectors

QL NET : Detachable 4 pin 3.5mm connector

SPARE Port : Detachable 4 pin 3.5mm connector

Programming Port : USB Type B socket

LAN Port : RJ45 connector socket

Display

LCD

Display Size

5.7"

Touch Sensor

4 Wire Resistive Type

Screen Resolution

320 X 240 PX

Screen Color

256k colors

Internal RAM

256MB

Environment

Ambient Temperature : 0°C to 50°C

Relative Humidity : less than 80%

Safety Regulatory Compliance

CE

Dimensions

215mm (W) x 140mm (H) x 43mm (D)

Weight

350g

QL-CPT301

5.7" LCD TOUCH SCREEN

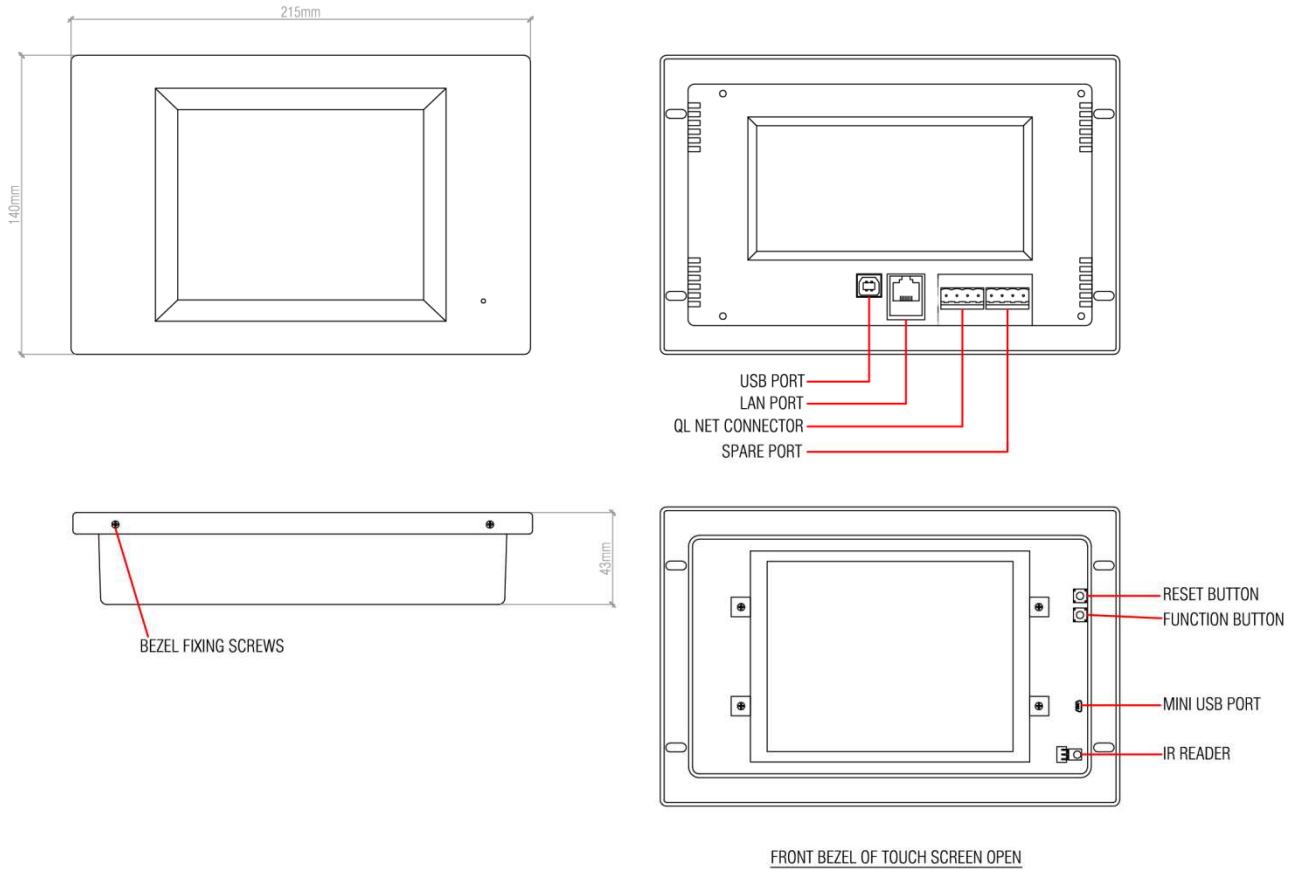


Fig 1. Touch Screen Details

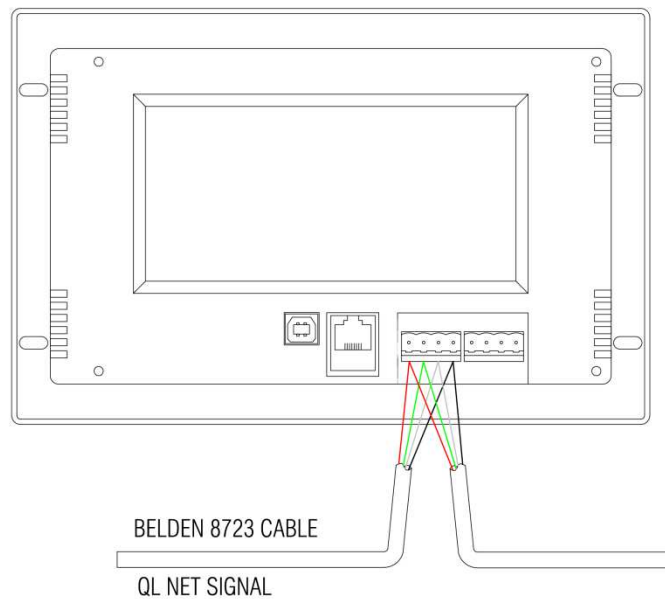


Fig 2. Touch Screen Connections

QL-CPT301

5.7" LCD TOUCH SCREEN



Black

White

Champagne
Gold

Fig 3. Standard Available Finishes

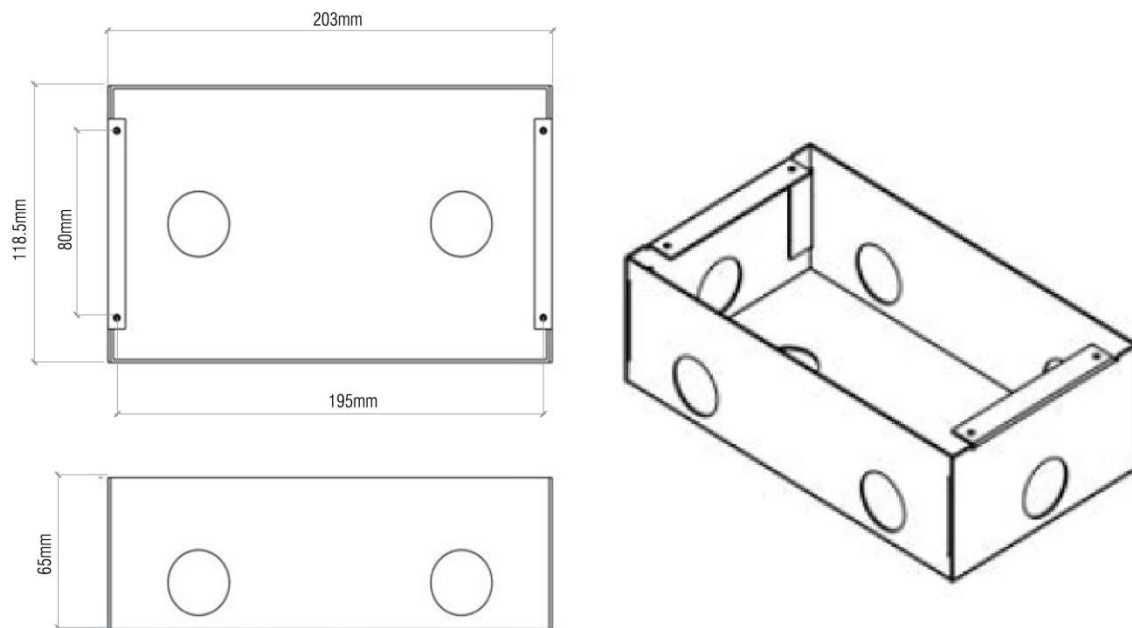


Fig 4. Touch Screen Backbox Details