

## INFRARED SENSOR

The QL SPR02 is a flush mounting Infrared motion sensor module. The module operates on mains power. The sensor is activated by motion i.e. speed and size. The operating temperature of the sensor ranges from -10°C to 60°C. The time delay is adjustable. The sensor detects changes in infrared radiation which occurs when there is movement by a person (or object) which is at different temperature from the surroundings. A microprocessor then triggers the switch light ON command.

### Specifications

#### Power Supply

220-240V AC, 50/60Hz

#### Power Requirement

Standby : 0.6W

Operational : 1.2W

#### Sensor Principle

Passive Infrared

#### Switched Power

2000W Max

#### Hold Time Setting

30s, 1 to 5 min in steps of 0.5min, 5 – 30 min in steps of 5 min

#### Detection Range

Max. ( $\Phi$ xH) 8m x 5m

#### Detection Angle

Horizontal : 102°

Vertical : 92°



#### Mounting Height

Max. 5m

#### Environment

Ambient Temp : -10°C to 60°C

Relative Humidity : less than 80%

#### IP Rating

IP20

#### Safety Regulatory Compliance

CE

#### Dimensions

75mm (DIA) x 76.4mm (D)

#### Weight

250g

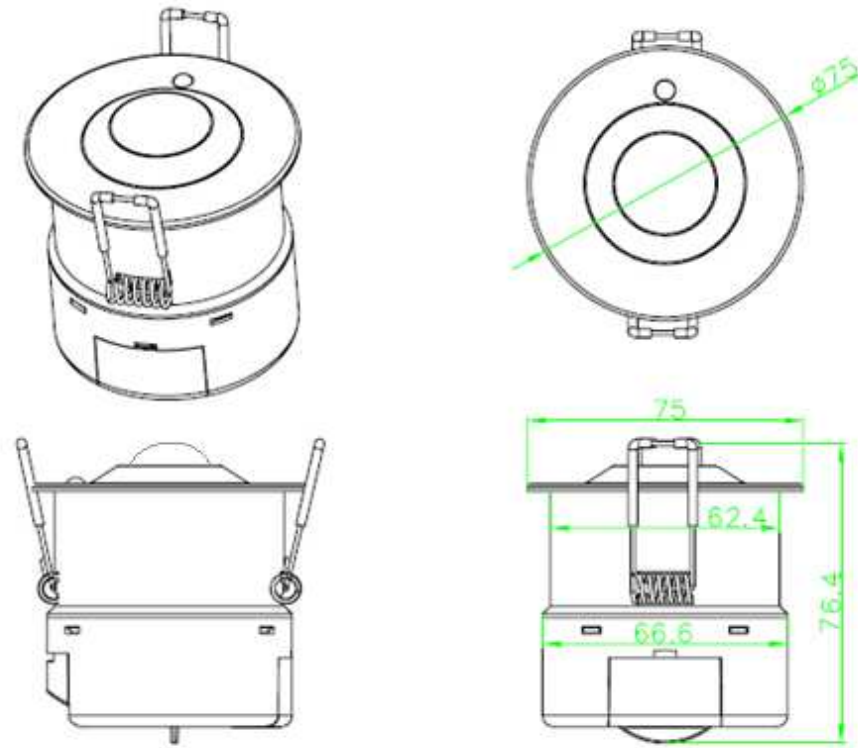


Fig 1. Module Details

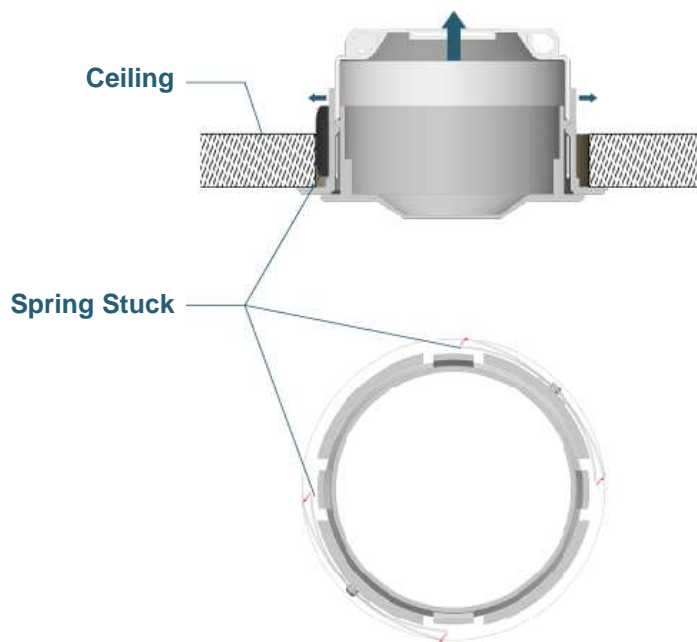


Fig 2. Installation details

DIP Switch				Time	DIP Switch				Time
1	2	3	4		1	2	3	4	
○	●	●	●	4 min	●	●	●	●	—
○	●	●	○	3.5 min	●	●	●	○	30 min
○	●	○	●	3 min	●	●	○	●	25 min
○	●	○	○	2.5 min	●	●	○	○	20 min
○	○	●	●	2 min	●	○	●	●	15 min
○	○	●	○	1.5 min	●	○	○	○	10 min
○	○	○	●	1 min	●	○	○	●	5 min
○	○	○	○	30 sec	●	○	○	○	4.5 min

### TIME DELAY SETTING

Fig 3. Setting Details

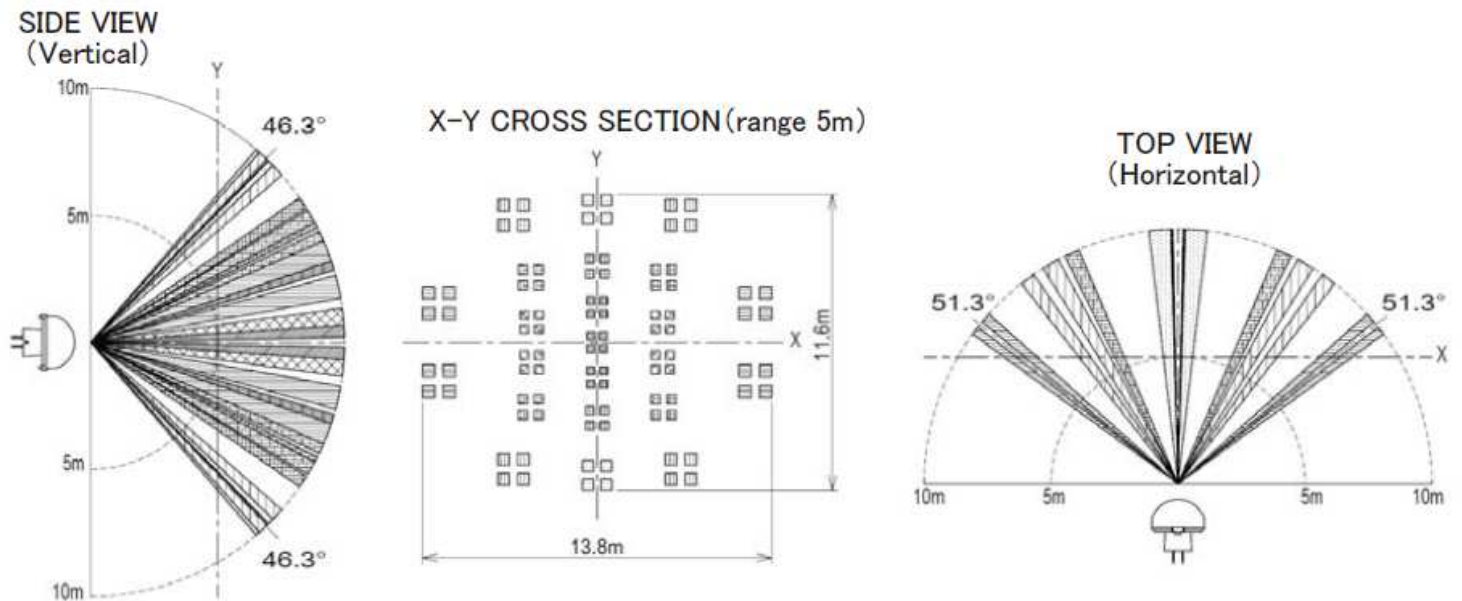


Fig 4. Detection Range