

The QL-RCU EN is the Qlite Room Controller Unit for Enigma Series Guest Room Management Systems. It is a prewired RCU panel with controller, switching units, dimmer units, curtain control units, fan coil control units etc depending on the requirement. Any or all of the following modules are included in the panel based on the requirement

- Controller module
- Relay module
- Dimmer module
- Curtain control module
- Fan coil control module
- Binary input module

The panel is fully programmable for

- Welcome mode
- Energy saving mode
- Operation for Do Not Disturb, Make up Room and Laundry services.
- Disabled friendly functionality

The panel is compact and can be mounted near the distribution board or in the false ceiling with minimal wiring required between distribution board and RCU panel.



Controller Features:

- RS 232 port for third party integration
- TCP/IP Communication with central server (optional)
- Allows Preset programming
- In Built System time
- In-Built Scheduler

Relay Module Features:

- 8 channel relays
- Independent, fully isolated relays
- Manual Bypass mode.
- Each relay capacity of 10A
- One relay used for Bell activation

ROOM CONTROL UNIT MODULE

Dimmer Module Features:

- 4 channel dimmer
- All leading edge dimmer channels
- Input voltage of 110-230V
- Each channel output capacity of 5A

Curtain Module Features:

- 4 channel curtain control module
- Forward/Backward/Stop control via relays
- Each relay capacity of 5A

HVAC Control Module Features:

- 1 FCU control channel
- 3 fan speed control via relays
- 1 cooling valve actuation relay
- 1 heating element actuation relay
- Each relay capacity of 16 A

Binary Input Module Features:

- 16 channels of binary input
- Each input is a dry contact sensing terminal
- Each terminal programmable for event on contact closure
- Programmable trigger modes

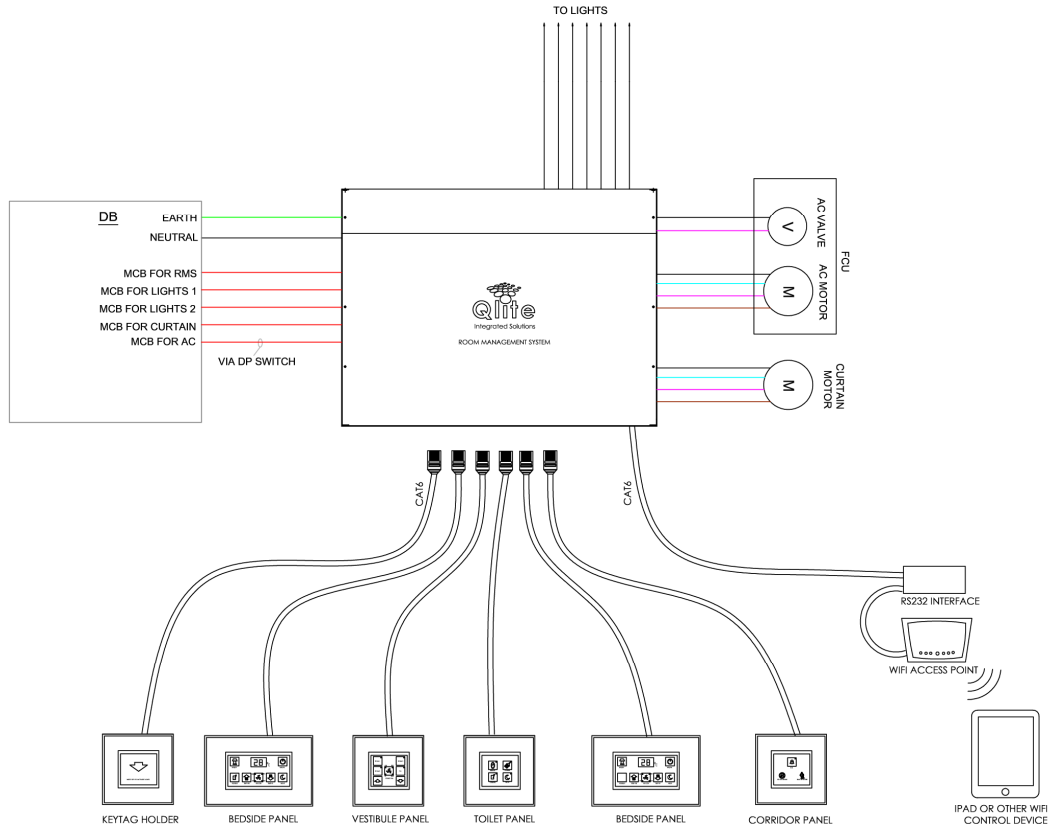


Fig 1. Typical RCU connections

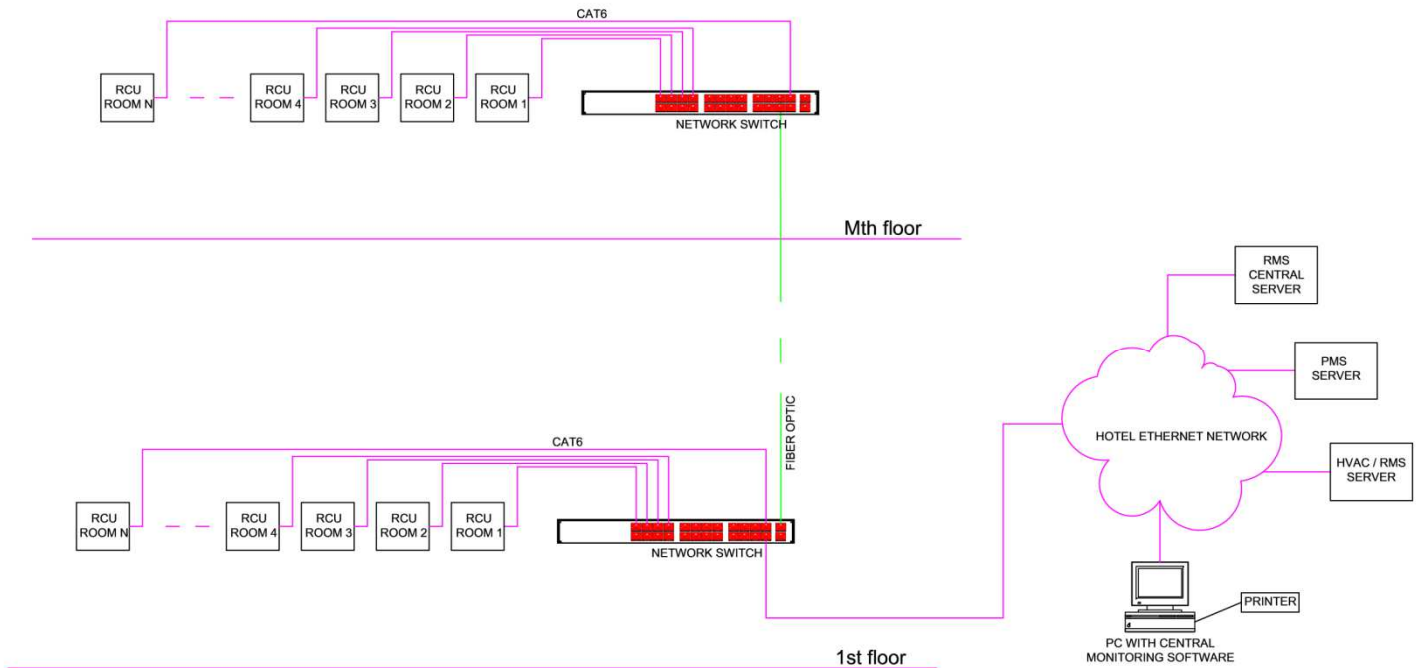


Fig 2. Typical Network Connections