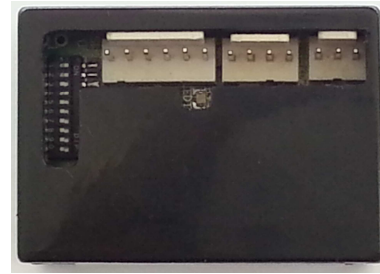


QL-S1

SINGLE CHANNEL CLOSING CONTACT MODULE

The QL-S1 is a single channel closing contact sensing module. The module can be used with conventional switches or any other device capable of giving a closing contact. It generates appropriate QL NET commands on sensing the closing contact depending on the configuration. The small size and plastic casing is appropriate to install it in a standard single gang 3" X 3" back box behind any conventional switch. It can be used as a part of a stand-alone system or as a part of a central system.



- *Closing contact sensor*
- *Generates QL NET commands*
- *Small and compact*

Specifications

Power Supply

12V DC

Power Requirement

20mA

Protocol

QL NET

Connectors

QL NET : 2.54mm 4 pin bar connector

Closing Contact : 2.54mm 3 pin bar connector

Programming Port : 2.54mm 6 pin bar connector

Safety Regulatory Compliance

CE

Environment

Ambient Temperature : 0°C to 50°C

Relative Humidity : less than 80%

Dimensions

35mm (W) x 25mm (H) x 50mm (D)

Weight

50g

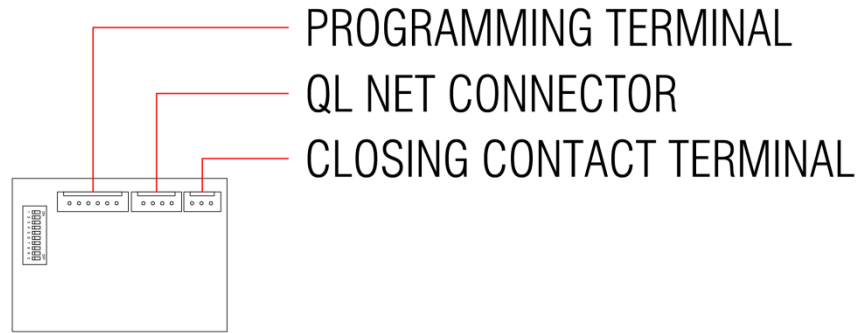


Fig 1. Module Details

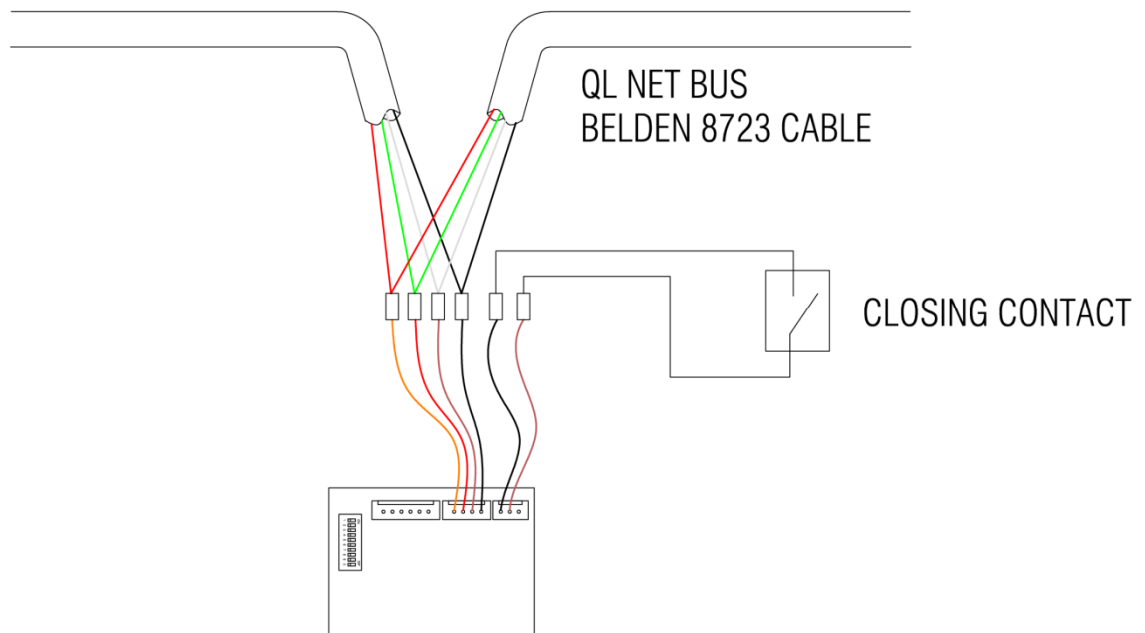


Fig 2. Module Connection