



Small Type Recessed LED Pool Light
Completely Stainless Steel SUS 316# Housing and Accessories



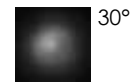
QL K-1A4AA0CEG

LED Colour Temperature Optics

- 3000K
- 4000K
- 6000K

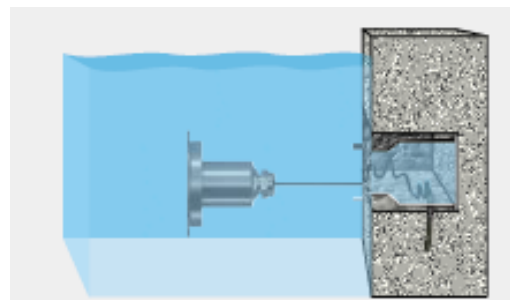
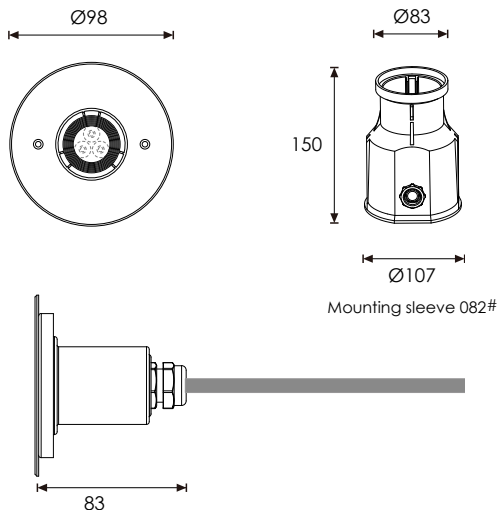


A8



OUTER DIMENSIONS & ACCESSORIES

Unit:mm



Water must be allowed to go inside and outside sleeve freely without leaking to the other side.

Warning:

Must be installed under the water to prevent the light from being burnt off because of over-heating.



Material Specifications

Front cover & Housing	Hard chromeplated molding shaped stainless steel SUS 316#
Light Window	Step tempered glass.T=8mm
Gasket	Silicone Gasket
Lens	Optical lens,efficiency≥85%
PCB	Excellent heat conductivity aluminum. coefficient of heat Conductivity≥2.0w/mk
LED Driver	Constant Voltage Input,Constant Current Output
Power Cable	H07RN-F 2X1.0mm ² L=3.0m
Application environment	Temperature of water between -20°C~40°C less than 1 meter depth.
Mounting sleeve	Ø82 ABS
Dimmable Support	Triac PWM 1-10V Dali

TECHNICAL DATA

ITEM	LIGHT SOURCE	LENS	LENS DEGREE(°)Ø1/2	INPUT VOLTAGE(V)	OPERATING CURRENT(MA)	CONSUMPTION(W)	LUMINANCE(LM)	IK
1A4AA0CEG	3×2W Single color	A8	30°	24V DC	245	5.9	Cool White = 466 Warm White = 383	07

PHOTOMETRIC CURVES

