




**High Luminance Output
Inground Flood Light**

QL K-R2KFR0176

LED Colour Temperature Optics

- 3000K
- 6000K

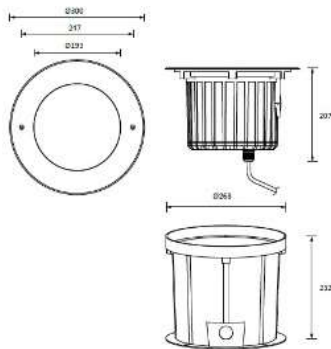
	R29
	R0106C110DK 6°
	R0124C110DK 24°
	R0138C110DK 38°

R29



6° 24° 38°

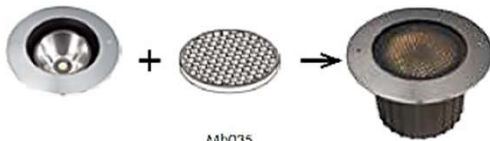
Outer Dimensions Unit:mm



Material Specifications

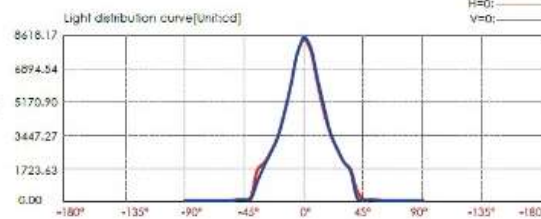
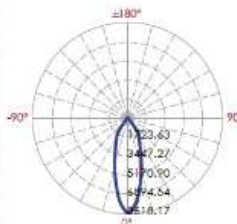
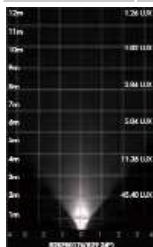
Housing	12° Die-casting dark grey powder coated aluminum T=60-80µm Adhesion of ISO class 1/ATM class 4B
Front cover	Hard chrome-plated stainless steel SUS 316L ^F
Light Window	Tempered frosted step glass.F=10mm
Reflector	Optical Reflector efficiency≥90%
LED	NICHIA COB
Glass pressure capacity	Full Area=5016kgs
Cable gland	IP68 PG-13.5 PA66
Gasket	Molding shaped seal
LED Driver	Constant Voltage Input,Constant Current Output
Operating temperature	-20°C~40°C
Power Cable	H07RN-F 2X1.5mm ² L=0.5m(low voltage) H07RN-F 3X1.5mm ² L=0.5m(high voltage)
Mounting sleeve	ABS 106°

Optional Honeycomb Louver



Mh035
Optional Accessory
Honeycomb_Louver

Item	Light Source	Lens	The manufacturer selected lens degree(°)Ø1/2	Input Voltage(V)	Typical Operating Current(mA)	Typical consumption(W)	Typical Luminance(lm)	IK rate
R2KFR0176	1x40W COB	R29	6°	240	187	44.5	Cool white=4425 Warm white=4097	10



Lux distance curve

Distance (m)	Center Beam LUX	Beam Width (m)
2m	2139.98 LUX	1.1m 1.2m
4m	534.99 LUX	2.3m 2.3m
6m	237.77 LUX	3.4m 3.5m
8m	133.75 LUX	4.5m 4.6m
10m	85.60 LUX	5.7m 5.8m
12m	59.44 LUX	6.8m 6.9m

Vert.Spread:31.7 Horiz.Spread:32.3