

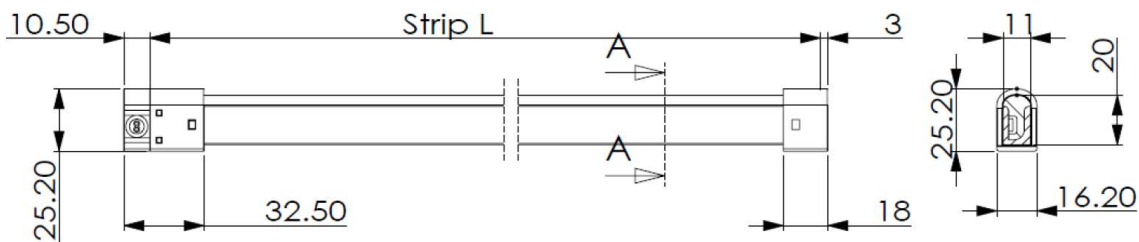


## Feature:

- ❖ Side bending and top lighting product
- ❖ Lumileds 2835 LED inside
- ❖ Dual- extrusion, Silicone Extrusion
- ❖ UV and yellowish resistant
- ❖ IP67 and salt-mist proof
- ❖ L70B50>50,000hrs
- ❖ UL 94V-0
- ❖ Min Bending Radius 6cm

## QL-AABO4

### Dimension: \_\_\_\_\_



*Notes:*

1. Unit: mm
2. Strip L = 10meters for 24V products in standard configuration

### Application: \_\_\_\_\_

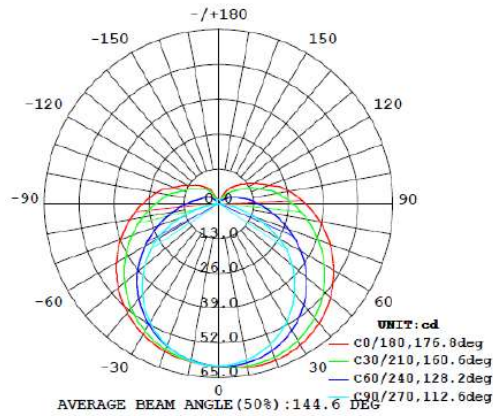
- ❖ Neon tube light source
- ❖ Building and sign outline lightning
- ❖ General and cove lightning
- ❖ Ships, boat truck outline lightning
- ❖ Bathroom , spa room lighting

## Electrical parameters: \_\_\_\_\_

Item	QLAAB04
Supply voltage range	24.0±1.0VDC
Supply current range(per meter)	Typ.500mA
Power range( per meter)	8W/M
ESD protection	Contact 4KV, Air 8KV
Max. length for single end power -in	10meters
Max. length for two end power-in	15 meters
Cut unit length	100mm for R/G/B/W/Y products

## Optical parameters: \_\_\_\_\_

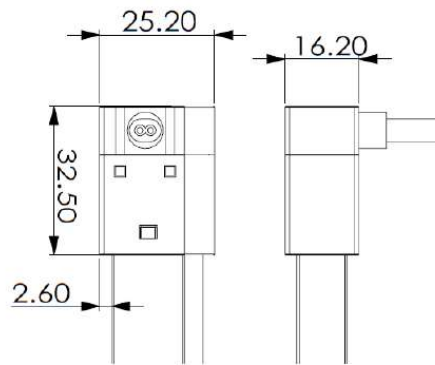
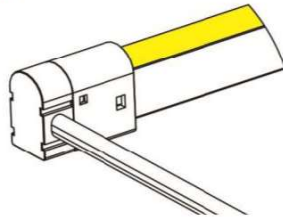
Part No.	Colorimetric Parameters		LED Flux	Product Flux	LED Type
	Color	Value	Typ. Lumen	Typ. Lumen	
<b>QL AAB04</b>	White	6500K	1000	550lm	Lumileds 2835x120
	White	5500K	1000	550lm	Lumileds 2835x120
	White	4000K	1000	550lm	Lumileds 2835x120
	White	3000K	800	550lm	Lumileds 2835x120
	White	2700K	720	550lm	Lumileds 2835x120
	Red	622.5nm	420	150lm	N.A
	Green	525nm	810	280lm	N.A
	Blue	467.5nm	210	75lm	N.A
	Yellow	590nm	420	150lm	N.A



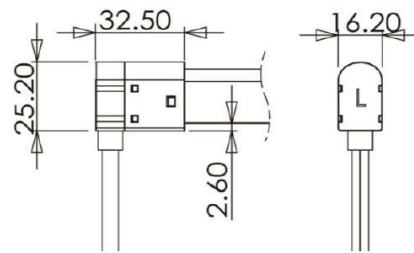
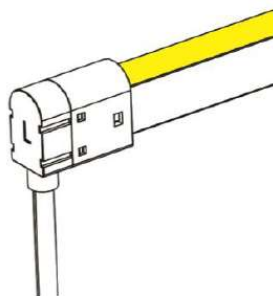
## Connectors

*Type 1, Soldering free power feed and end cap*

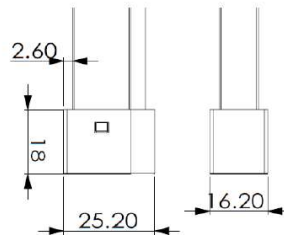
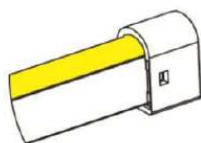
*IP67 Power feeder  
Cable from side*



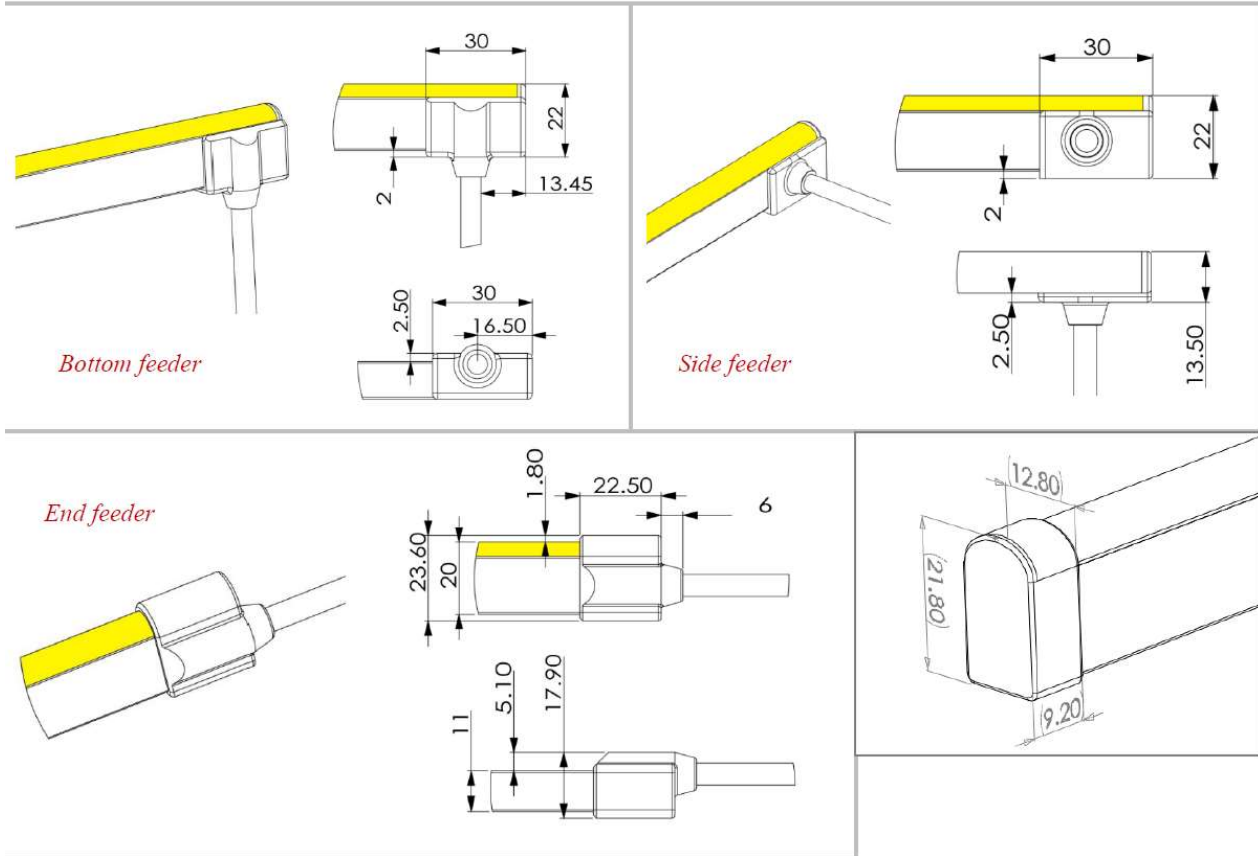
*IP67 Power feeder  
Cable from Bottom (not for RGB version)*



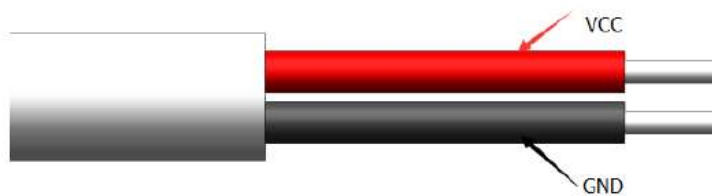
*IP67/40 End cap*



Type 2, IP67 power feed and end cap by molding

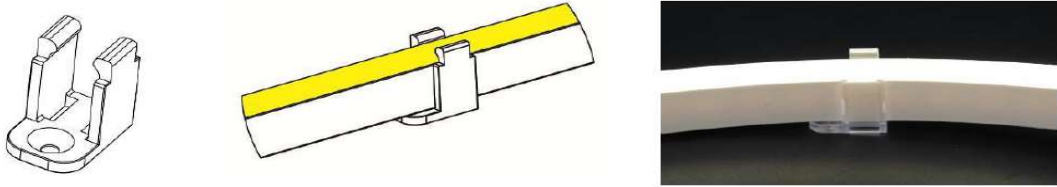


**Wiring**



**Installation accessories**

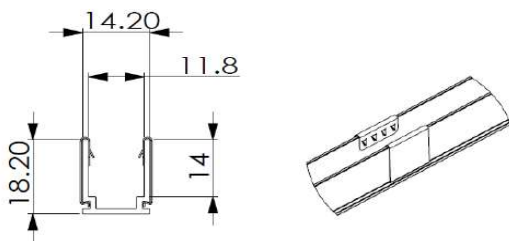
*Type 1, transparent clips for indoor application*



*Type 2, AL Clips for outdoor application*



*Type 3, AL profile for outdoor application ( 1meter AL with 6pcs Clips)*



*Type 4, Stainless steel chain for curve installation*

