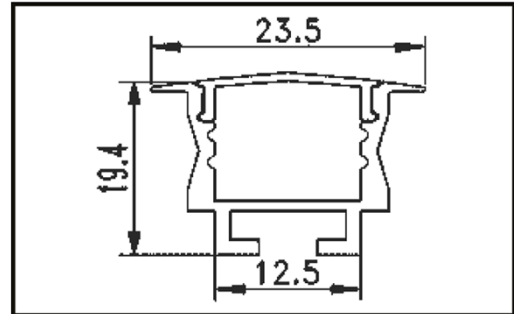


QL DLS 2835 - R04



Product Features

- ❖ Good chip with golden wire
- ❖ Thick copper double-sided PCB
- ❖ Geniue 3M tape on backside
- ❖ Easy to cut in 100mm segments
- ❖ IP 68
- ❖ DMX Control Compatible

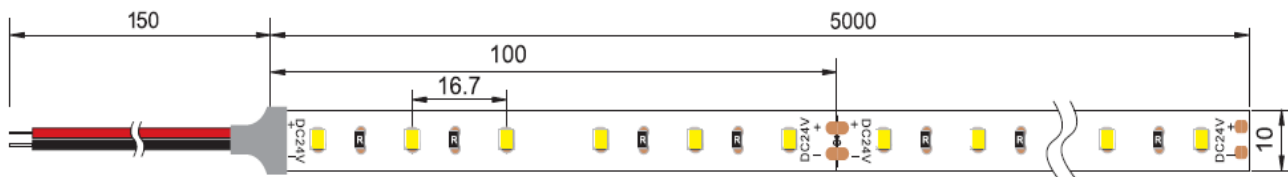
Optical Parameter

- ❖ Input voltage DC 24V
- ❖ Power/m 22W/Mtr
- ❖ Max current / LED 920mA
- ❖ CRI(Ra) >90
- ❖ Color temperature RGB
- ❖ Lumen / m 1092LM/m
- ❖ Beam Angle Wide

Basic Parameter

- ❖ LED Q'ty/m 60LEDs
- ❖ Working temperature -20°C~+65°C
- ❖ Minimum Cuttable Length 100mm
- ❖ PCB Width 8mm

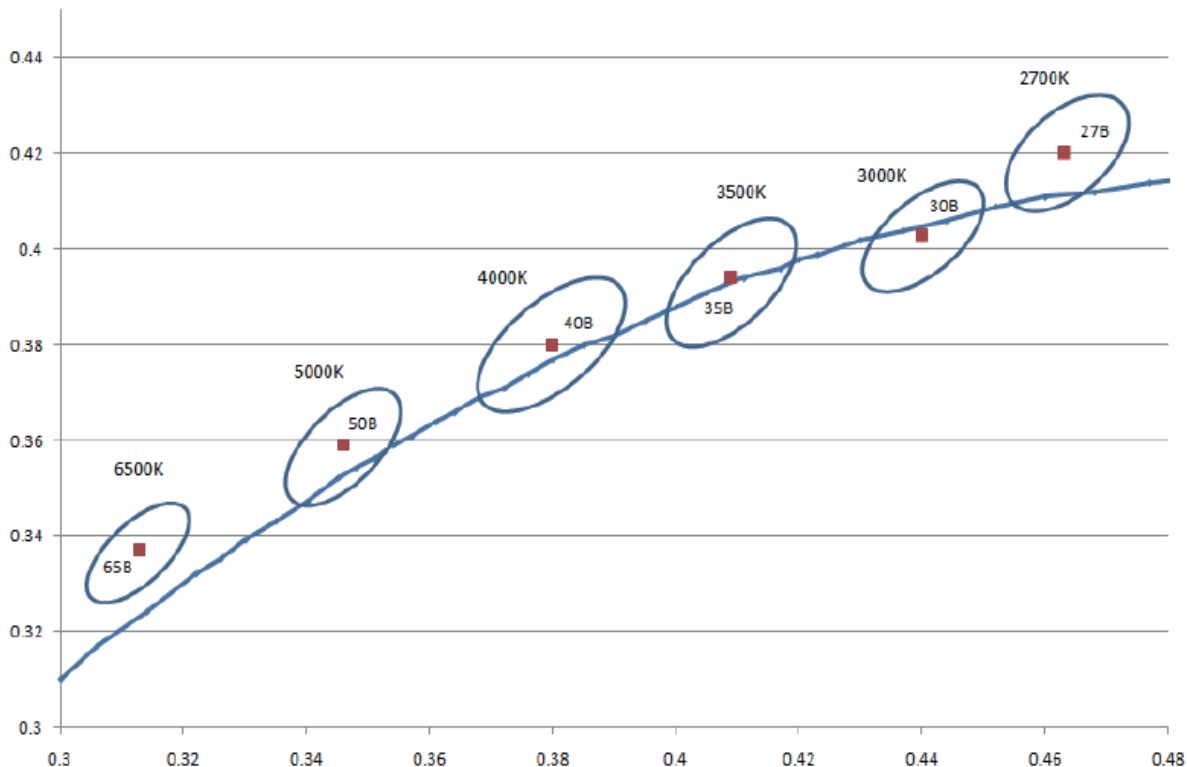
Structure & Parameter



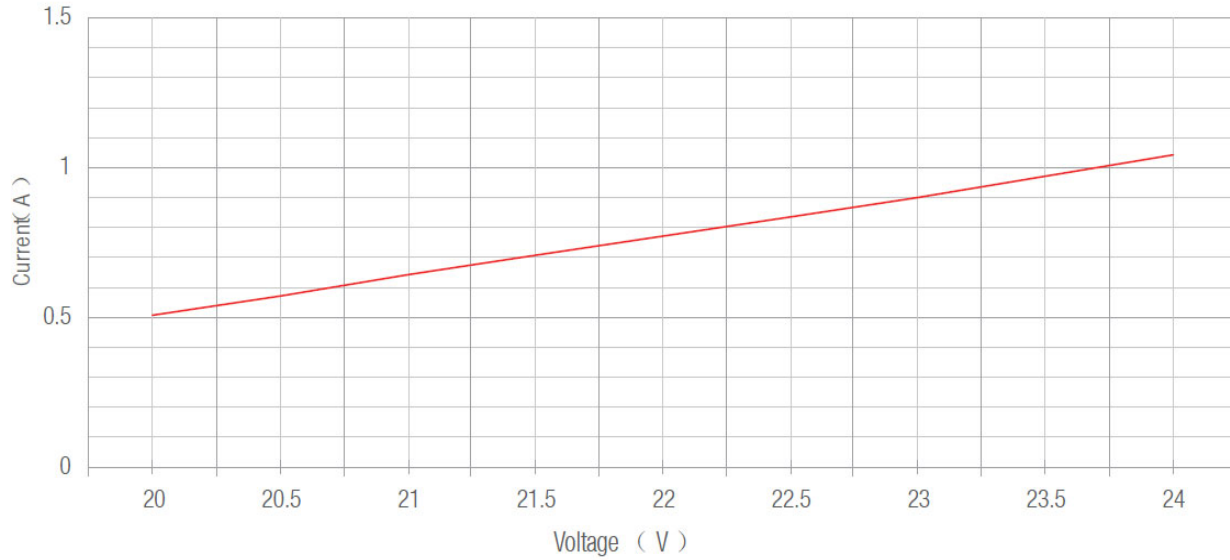
Bin Range of Chromaticity Coordinate

CCT	Bin code	Bin	CIE-X	CIE-Y
6500k	65B	6200-6800	0.313	0.337
6000K	60B	5800-6300	0.322	0.336
5000K	50B	4800-5200	0.346	0.359
4000K	40B	3800-4200	0.380	0.380
3500k	35B	3250-3650	0.409	0.394
3000K	30B	2900-3100	0.44	0.403
2700K	27B	2600-2800	0.463	0.42

CIE Chromaticity Diagram

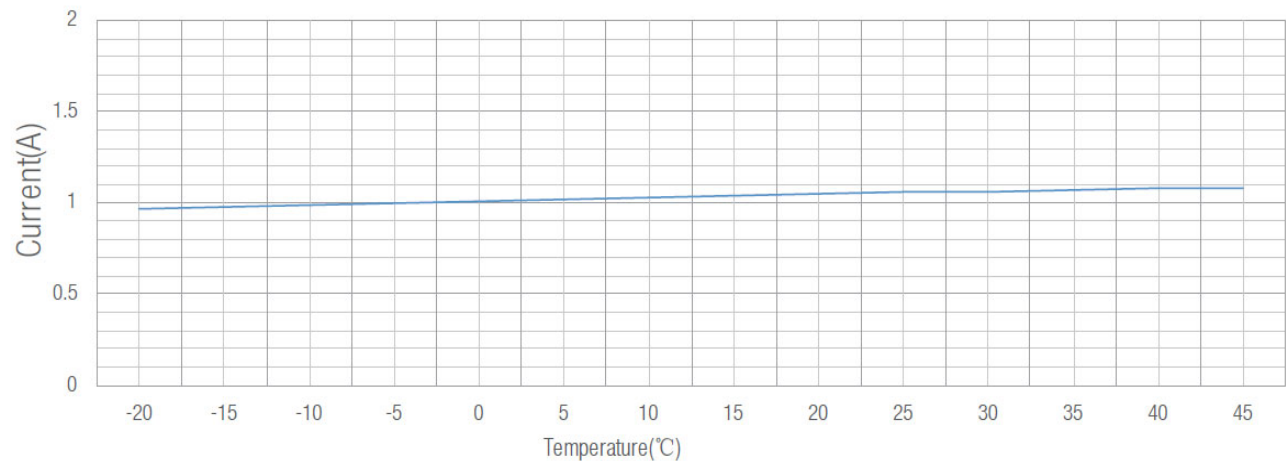


Voltage & Current Curve



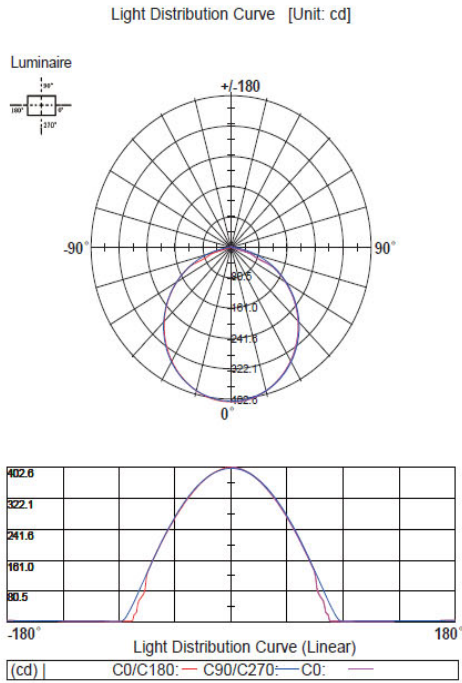
Note: This curve is tested when the IP20 1M LED Strip is under thermal stability after 2h continuous working in 15°C room temperature.

Temperature & Current Curve

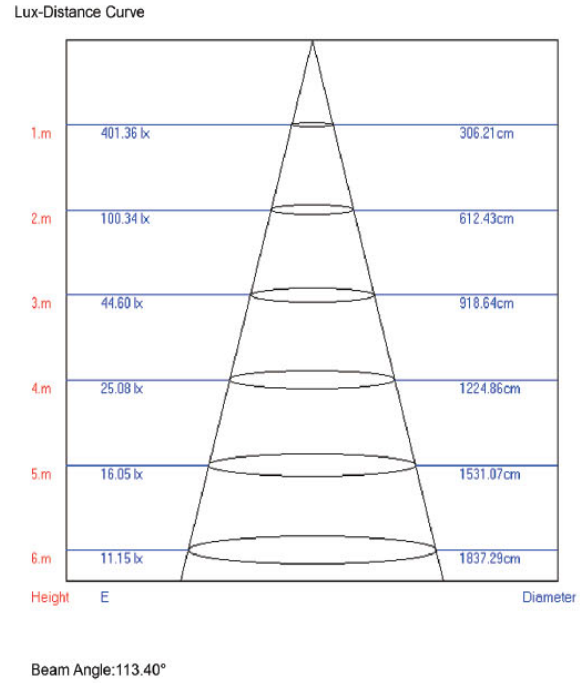


Note: This curve is test data of 1M LED Strip.

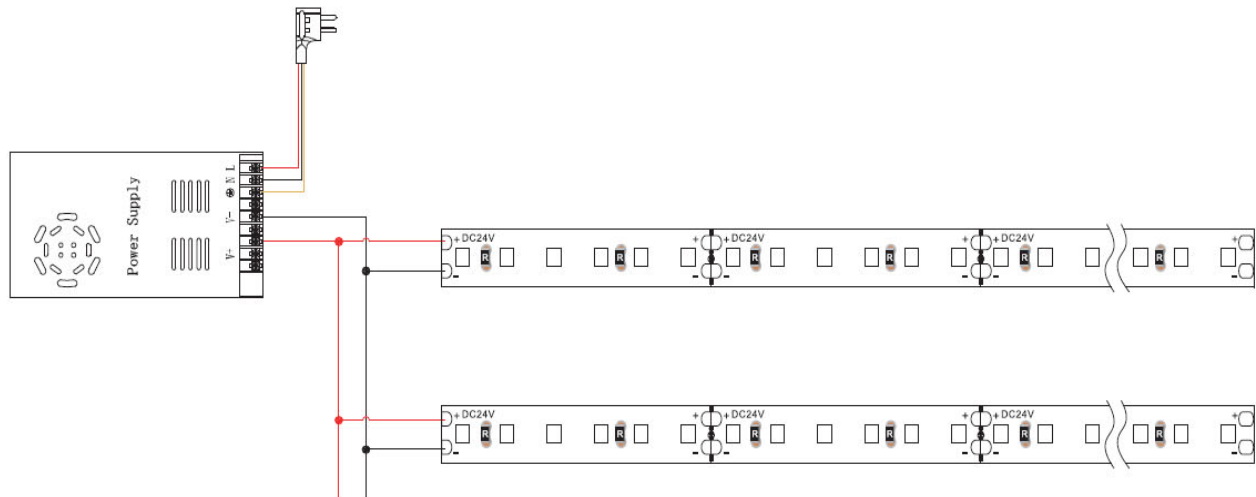
Light Distribution Curve



Light Distribution Curve

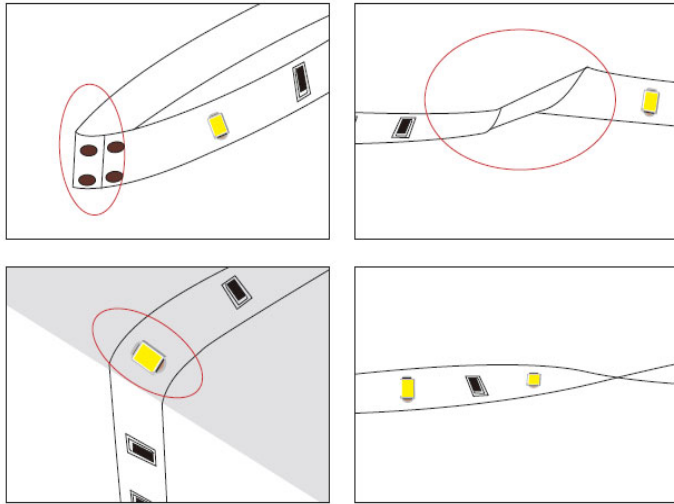


Wiring Diagram

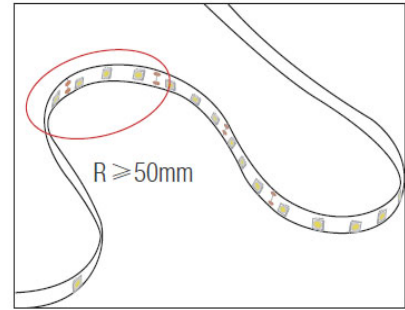


Cautions

When install the led strip,please note the installation technique.The led strip can be bent,but not distorted,as shown below.



Distortion(Wrong)



Bend(Right)

- LED strips are low voltage products,you must use the power supply(transformer).Please don,t connect the led strip directly to the AC 110v or AC 220v,otherwise it will burn out the LED strips.

- Clean up the installation surface,it will ensure the reliability of the adhesive,The electrical connection process must be operated by a professional person.