

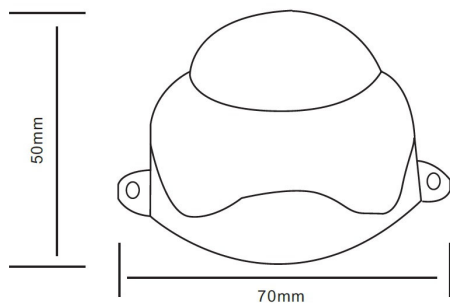


QL K-4A1UB0AJG

LED Colour Temperature

- 3000K
- 5700K
- 6000K

Outer Dimensions _____ Unit:mm



Material Specifications: _____ Unit:mm

Housing	Die –casting aluminum alloy
Top Cover	Transpent/ Clear diamond cut Diffuser
LED type	SMD 5050
Life time	L70 at ≥50000 Hrs
Control Mode	DMX512
Application Environment	-20°C~ +60°C
Electrical Cable	Special design IP68 Cable
Dimmable Support	1-10V ,Dali ,DMX

Feature: _____ Unit: mm

- Simple-style
- Convenient installation and maintenance
- UV Resistance

Item	Light Source	Input Voltage(V)	Typical Operating Current(mA)	Typical consumption(W)	Typical Luminance(lm)	IK rate
QL K-4A1UB0AJG	3W	24VDC	125	4.4W	150 lm	06