

QL-SDT-360

Dual Technology Occupancy Sensor

The QL SDT-360 is 360 Degrees Dual-Technology Occupancy Sensor combines advanced passive infrared (PIR) and ultrasonic technologies into one unit. The combined technologies help to avoid false triggering. Selectable operating modes allow the sensor to turn a load on, and hold it on as long as either or both technologies detect occupancy. After no movement is detected for the selected time delay, the lights switch off.



- *Settable delay time, threshold LUX level and Sensitivity*
- *Operates on mains voltage*

Specifications

Power Supply

220-240V AC, 50/60Hz

Detection Range

Ultrasonic Coverage- 9 Mtr

PIR Coverage -13 Mtr

Hold Time Setting

5s, 30s, 180s, 300s, 15min and 30 min

Daylight Threshold Setting

Up to 100 lux

Switched Power

1600 W Max

Detection Angle

360°

Mounting Height

Max. 5m

Environment

Ambient Temp : -20°C to 60°C

Relative Humidity : less than 80%

IP Rating

IP20

Safety Regulatory Compliance

CE

Dimensions

110 mm x 55mm

Weight

280g

QL-SDT-360

Dual Technology Occupancy Sensor

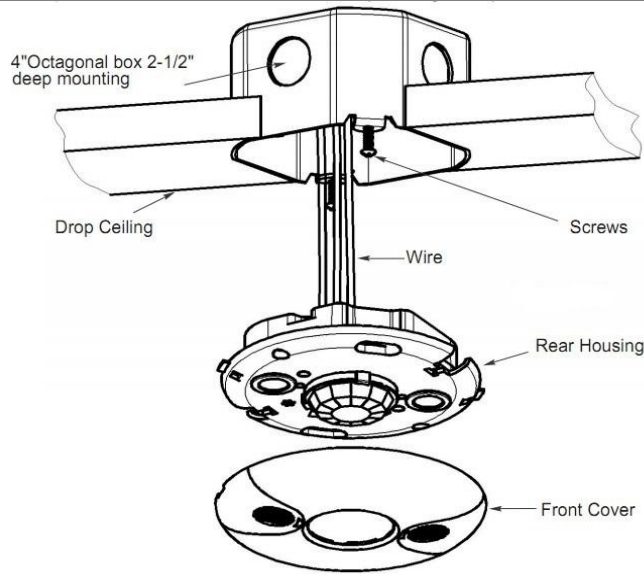


Fig 1. Module Details

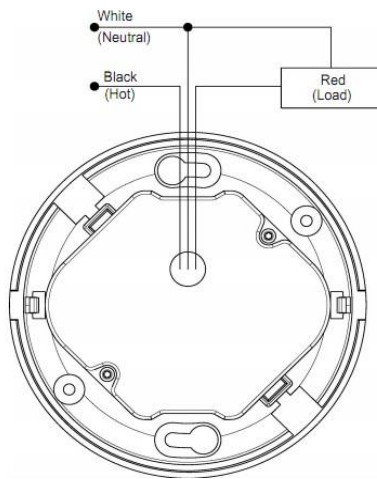


Fig 2. Module Connection

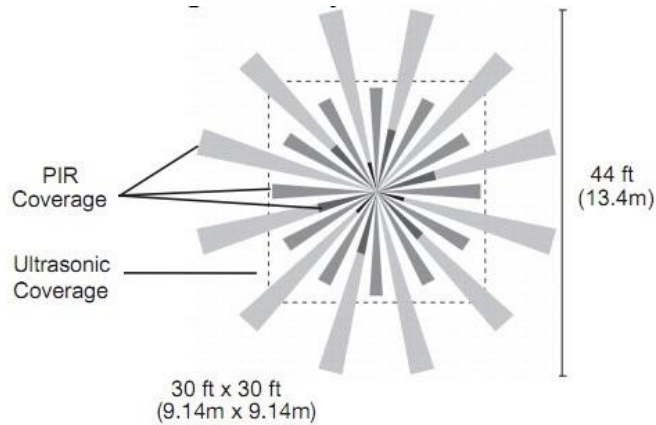


Fig 3. Detection Range