

## CEILING RECESSED EXIT LIGHTS



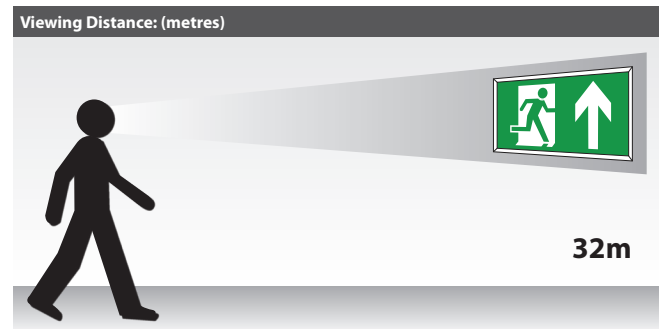
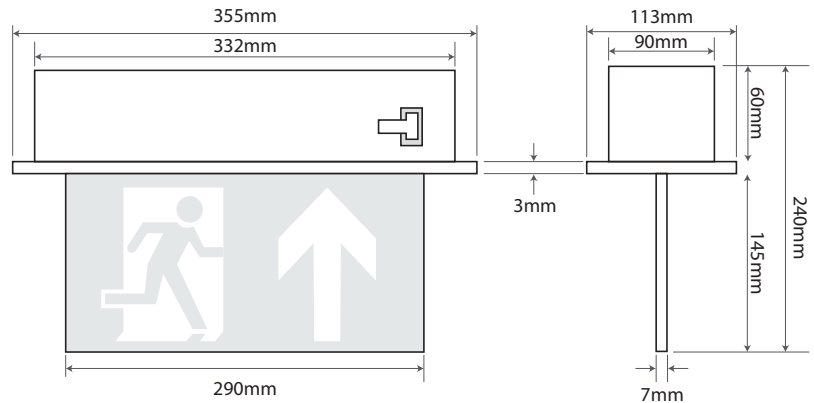
LED emergency exit signage



This Emergency exit sign utilises LED technology with the added advantage of 'self-test' operation. Vale is designed to be fully recessed; available in several finishes allowing the unit to meet with the end users decorative requirements. Vale is supplied as standard with a 7mm blade which ensures the required even distribution of light throughout it's surface.

## Features

- Self-test operation as standard to BS EN 62034
- Low running costs ( 8.5 W)
- 24 x 0.07W LEDs
- Long life LED technology
- Maintained or non-maintained 3 hour emergency backup (can be switched to non-maintained if required)
- Double sided legend, supplied as standard with arrow up
- Housings available in white metal, brass or chrome
- Incorporates 2.4 NiHH 1800mAh battery
- Minimal maintenance required
- Additional pictograms available to fit in with your existing scheme
- Meets BS EN 60598-2-22 and other relevant standards



Please note image shown is not to scale and is for pictorial reference only

SPECIFICATIONS	
Light Source	24 white LEDs
IP Rating	IP40
Emergency Duration	3 hours (minimum)
Mains Voltage	230V 50Hz ± 10%
Mains Current (max)	35mA (max) (8.5W)
Recharge Period	Less than 24 hours
Charge Indicator	Integral green LED
Changeover Voltage	230V 50Hz ± 10%
Temperature Range	-10°C - +55°C (Non Condensing)
Weight	1.5Kg
Battery	2.4 NiHH 1800mAh

PRODUCT CODE	DESCRIPTION
M11-25/WHST	LED 3 hour maintained white self-test complete with legend arrow up
M11-25/BRST	LED 3 hour maintained brass complete with legend arrow up
M11-25/CHST	LED 3 hour maintained chrome complete with legend arrow up
Type-1	Double sided arrow down legend (insert only)
Type-2	Double sided arrow left/right (insert only)
Type-3	Legend arrow up (insert only)