



Windowsill Light

QL K-B1W0180

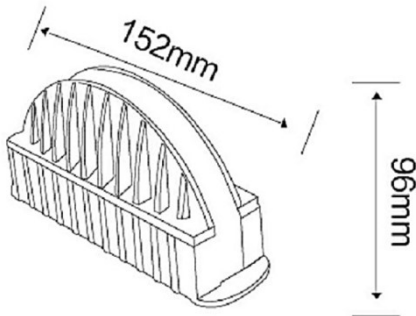
LED Colour Temperature

- 2700K
- 4000K
- 6000K
- RGB
- RGBW

Outer Dimensions

Unit:mm

Material Specifications



Housing	Die casting grey powder coated aluminum
Illumination Cover	Tempered Glass
LED Light Source	Niche ,CREE
Operating temperature	-20°C~40°C
Power factor	0.95
IP Rating	IP67
Lifetime L70B10	50000hrs
Dimming Option	1-10V, DMX
Power cable	H05RN-F 2x1.0mm ² , L=0.5m

Item	Light Source	The manufacturer selected lens degree(°)θ1/2	Input Voltage(V)	Typical Operating Current(mA)	Typical consumption(W)	Typical Luminance(lm)	IK rate
B1W0180	12W	14°X160°	24V DC	500	14.8	840	08

