



Architectural and landscape RGBW LED Spot Light

QL-TG14-0904

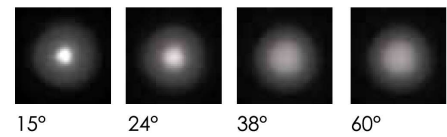


■ LED Colour Temperature ■ Optics

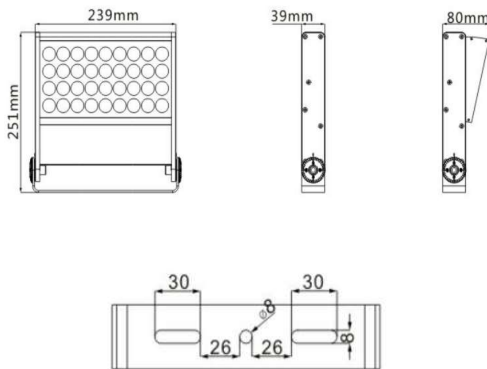
- 2700K
- 3000K
- 6000K
- RGB
- RGBW



B33	Beam Angle
L0115D023YH	15°
L0124D023YH	24°
L0138D023YH	38°
L0160D023YH	60°




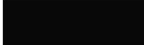
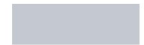
Outer Dimensions Unit:mm



Material Specifications

Housing	12# Die- casting dark grey powder coated aluminum T=60-80μm, Adhesion of ISO class 1/ASTM class4B
Lens	All in one optical lens, efficiency≥90%
Glass	Tempered glass, T=4mm
Cable Gland	IP68 PG-9 PVC
Gasket	Tool shaped seal
Bracket	Steel Aluminum
Operating Temperature	-40°C ~ +70°C
Chip	Epistar
Lifetime	L70B10 50000hrs
Power cable	H05RN-F 5x0.5mm ² , L=2.0m(High Voltage)

Basic color selection:

Powder painting PANTONE 432u	Powder painting RAL9005	Powder painting RAL9006
		

Item	Light Source	Input Voltage(V)	Typical Operating Current(mA)	Typical consumption(W)	Beam angle	Typical Luminance(lm)
TG14-0904	50W	240	208.3	53.6	60°	2500