



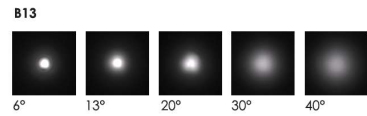
Architectural and Landscape LED Spotlight

QL K-TG3003

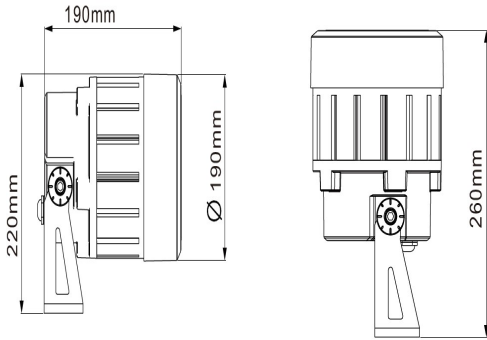
LED Colour Temperature

- 3000K
- 4000K
- 6000K

Optics



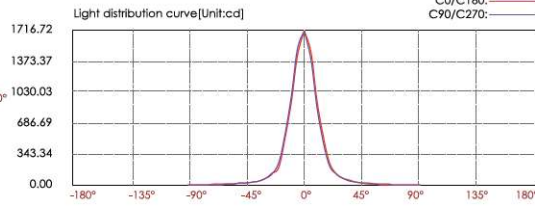
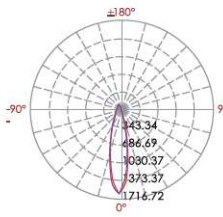
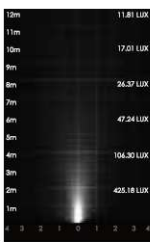
Outer Dimensions _____ Unit:mm



Material Specifications

Housing	Die Cast Dark Grey Aluminum
Light Window	Tempered Glass T=4 mm
LED	Osram,Cree,Nichia
Cable Gland	IP 68 PG -9 PA66
Lens	All in one optical lens, efficiency≥85%
CRI	≥80
SDCM	<3
Bracket	Powder coated aluminum
Gasket	Tooling Shaped seal

Item	Light Source	Input Voltage(V)	Typical Operating Current(mA)	Typical consumption(W)	Lumen (lm)
TG3003-33	100w	240	420mA	105.8W	8500 lm



Ver.Spread:21.6 Horiz.Spread:21.7

Center beam LUX	Beam width V	Beam width H
2m 425.18 LUX	0.8m	0.8m
4m 106.30 LUX	1.5m	1.5m
6m 47.24 LUX	2.3m	2.3m
8m 26.57 LUX	3.0m	3.1m
10m 17.01 LUX	3.8m	3.8m
12m 11.81 LUX	4.6m	4.6m