

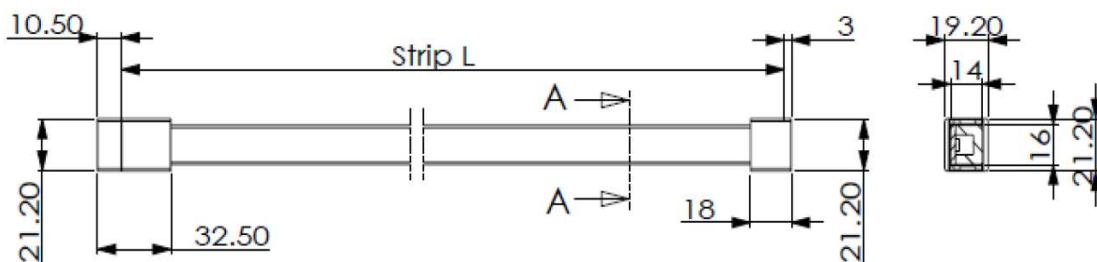


Feature:

- ❖ Top bending and top lighting product
- ❖ Lumileds 2835 LED inside
- ❖ Dual- extrusion, diffuse silicone lens and thermal conductive base.
- ❖ UV and yellowish resistant
- ❖ IP67 and salt-mist proof
- ❖ L70B50>50,000hrs
- ❖ UL 94V-0

QL-AABO2

Dimension: _____



Notes:

1. Unit: mm
2. Strip L = 10meters for 24V products in standard configuration

Application: _____

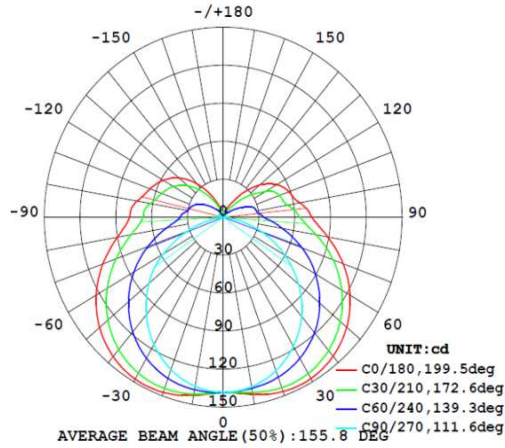
- ❖ Neon tube light source
- ❖ Freezer and cooler lightning
- ❖ Building and sign outline lightning
- ❖ General and cove lightning
- ❖ Ships, boat truck outline lightning
- ❖ Bathroom , spa room lighting

Electrical parameters: _____

Item	QLAAB02
Supply voltage range	24.0±1.0VDC
Supply current range(per meter)	Typ.500mA
Power range(per meter)	9W/M
ESD protection	Contact 4KV, Air 8KV
Max. length for single end power -in	10meters
Max. length for two end power-in	15 meters
Cut unit length	100mm for R/G/B/W/Y products 71.5mm for RGB products

Optical parameters: _____

Part No.	Colorimetric Parameters				Product Flux	LED Type
	Color	Value	CRI	CCT Range	Typ. lm/mtr.	
QL AAB02	White	6500K	Ra. 80	6150-6850K	1000lm	Lumileds 2835
	White	5000K	Ra. 80	4750-5250K	1000lm	Lumileds 2835
	White	4000K	Ra.80	3830-4170K	1000lm	Lumileds 2835
	White	3000K	Ra.80	2850-3150K	770lm	Lumileds 2835
	White	2700K	Ra.80	2600-2800K	680lm	Lumileds 2835
	Red	622.5nm	N.A	N.A	270lm	N.A
	Green	525nm	N.A	N.A	460lm	N.A
	Blue	467.5nm	N.A	N.A	165lm	N.A
	Yellow	590nm	N.A	N.A	240lm	N.A



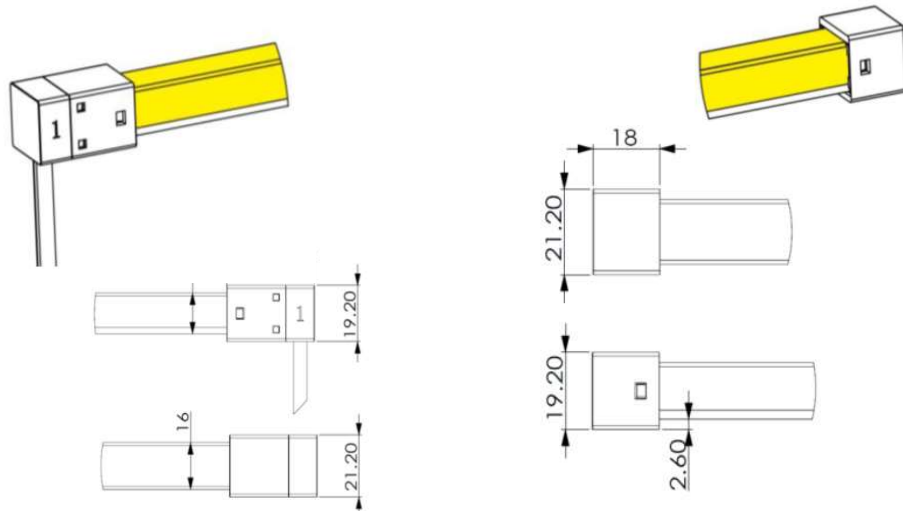
Connectors

Soldering free power feed and end cap

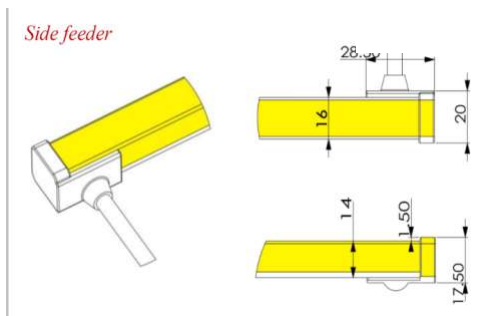
IP67 End cap

IP67 power feeder

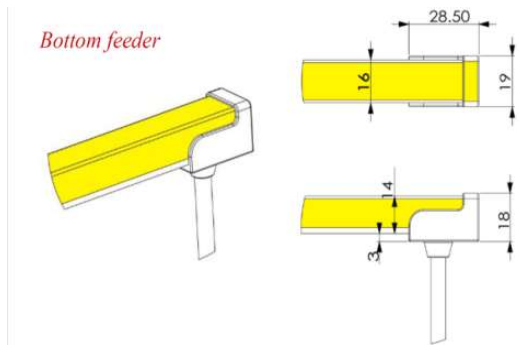
Cable from bottom



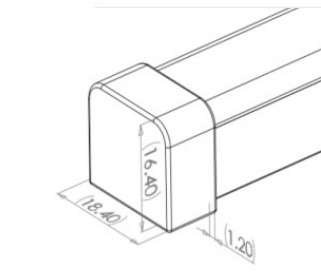
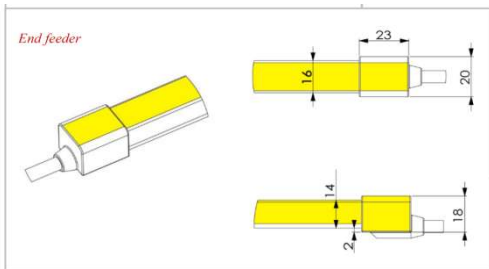
Side feeder



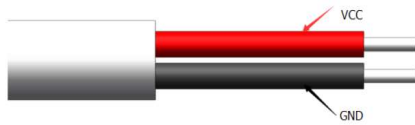
Bottom feeder



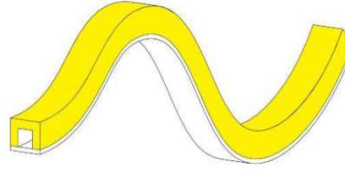
End feeder



Wiring:

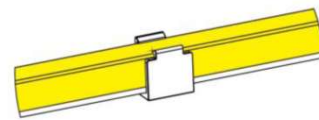
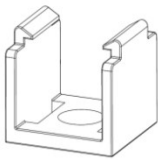


Single color product

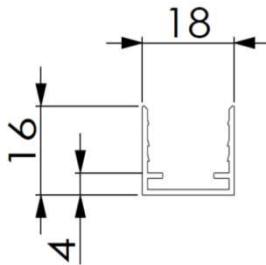


Installation accessories:

Type 1: transparent PC clips for indoor application



Type 2: Al profile for outdoor application (1meter per pcs ,can be cut to any length)



Attention:

- ❖ The LED neon itself and all its component may not be mechanical stressed
- ❖ Please ensure that the power supply is adequate power to operate the total load .only qualified personnel should be allowed to perform installation
- ❖ The design of the housing should be according to the IP standards in the application
- ❖ If surge protection structure not within power supplier lightning protector should be needed additionally
- ❖ Before cutting and making reconnection ,please read the user manual and please ensure you have read and fully understand it.