

LINEAR SURFACE LUMINAIRE - HIGH IMPACT RESISTANT

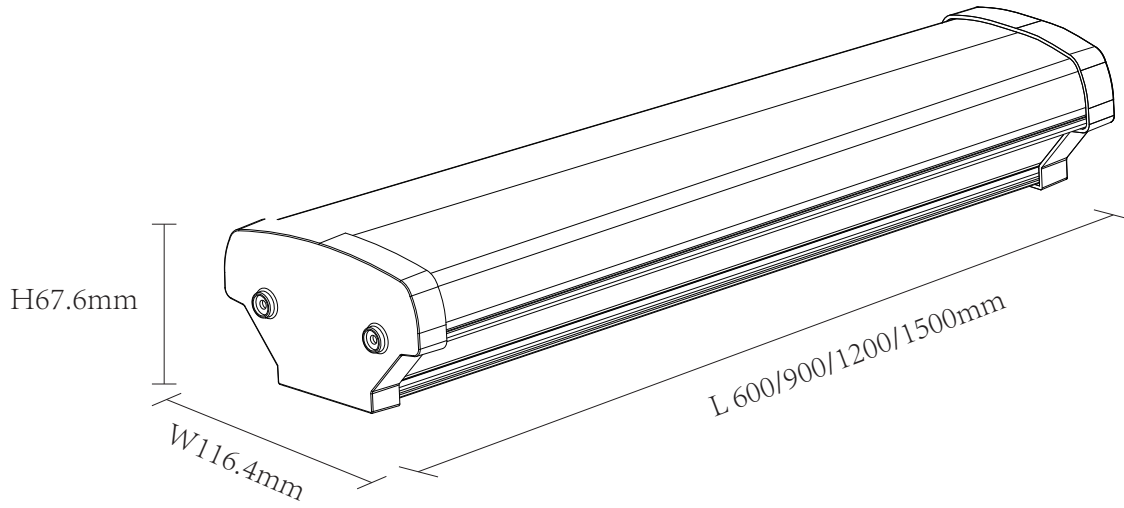
Technical Specifications:

Product Code	: QL CL XX WP-LLF *
Body Material	: Aluminium
Diffuser	: PC opal diffuser
Body Color	: Silver
Fixed/Adjustable	: Fixed
Light Source	: SMD LED
Beam Angle	: 120°
Color Temperature	: 3000K, 4000K, 5000K, 6000K
CRI	: ≥80
Power Factor	: 0.9
Ingress Protection	: IP65
IK Rating	: IK10++
Driver	: Constant Current
Input Voltage	: 220-240V/50-60Hz
Dimming Options	: Optional
Emergency kit	: Integral 3 hours available
Mounting Arrangement:	Surface mounting or Suspended
Life Time	: 50000hrs



Product Code (*)	Wattage (W)	Lumen Output (lm)	Operating Current (mA)	Overall Length (mm)	Overall width (mm)	Overall Height (mm)
QL CL36WP-LLF	36	3900	900	600	116.4	67.6
QL CL50WP-LLF	50	5500	1050	900	116.4	67.6
QL CL55WP-LLF	55	6000	1200	1200	116.4	67.6
QL CL70WP-LLF	70	7700	1400	1200	116.4	67.6
QL CL90WP-LLF	90	9900	1050*2	1500	116.4	67.6

Dimensional drawing:



Photometric curve

