



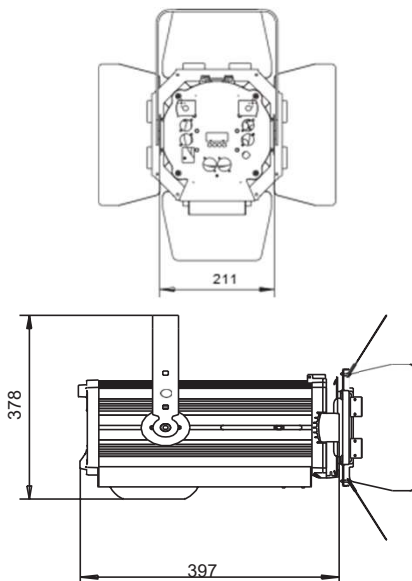
LED FRESNEL LIGHT

QL K-FRL445

LED Colour Temperature

- 3000K
- 4000K
- 6000K
- 6500K
- RGBW

Outer Dimensions

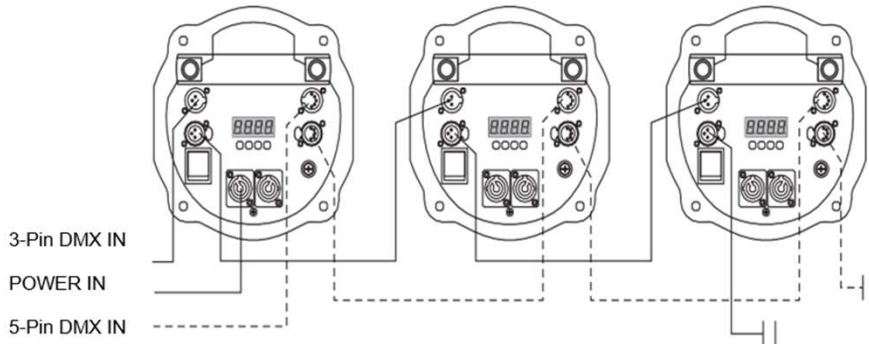
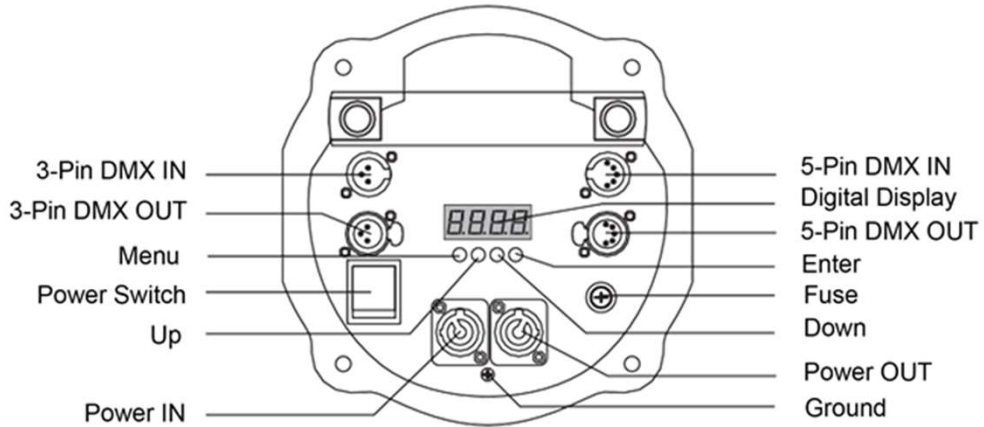


Material Specifications

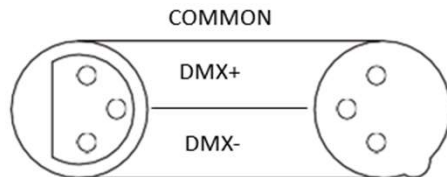
Housing	Aluminum Alloy
Cooling	Copper liquid cooling system
Beam angle	15° - 50°
Lifetime	50000Hrs
CRI	≥90
Display	4 button digital display
Connection	3-Pin and 5-pin XLR connectors IN/OUT
Ambient temperature	-10°~40°C
I/P Voltage	AC100-240V 50/60Hz
IP	20
DMX	4/8 DMX channels
Net Weight	8.5Kg
Barn Door	Integrated Black
Strobe	25T/sec high speed shutter/strobe effect with variable speed

Item	Light Source	Input Voltage(V)	Typical Operating Current(mA)	Typical consumption(W)
QL K-FRL445	220W	240V	916.66mA	224.4W

DMX 512 CONTROLLER CONNECTION



- 1:Ground
- 2:Data(-)
- 3:Data(+)



DMX512 Out
3-Pin XLR

DMX512 In
3-Pin XLR